



**前置式洗衣機**

**Front Loading Washer**

**IWB 70852 C ECO HK**

**Instructions & Installation Manual**

**安裝及使用手冊**

本文為翻譯本，所有內文以英文為準。  
生產商保留任何改善本機功能的權利。本機或任何附件會因技術和商業上需要作出更改，恕不另行通知。



### 安裝 Installation

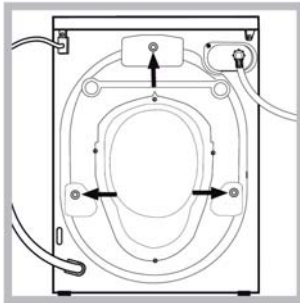
請仔細閱讀這些操作指示、重點標題要訣及安全守則，它將幫助您容易了解本產品的特點和性能，使您在數年內放心安全地使用。我們建議您保存好說明手冊以備將來查閱和轉交新用戶。

! This instruction manual should be kept in a safe place for future reference. If the washing machine is sold, transferred or moved, make sure that the instruction manual remains with the machine so that the new owner is able to familiarise himself/herself with its operation and features.

! Read these instructions carefully: they contain vital information relating to the safe installation and operation of the appliance.

### 拆除包裝及定位 Unpacking and levelling

#### 拆除包裝 Unpacking



1. 打開包裝  
Remove the washing machine from its packaging.

2. 檢查本機有無破損，如果您有任何疑問，請先不要使用，並立刻與合格的技術人員聯絡

Make sure that the washing machine has not been damaged during the transportation process. If it has been damaged, contact the retailer and do not proceed any further with the installation process.

3. 本機內設有一個防震盪裝置，該裝置在運輸過程中由 3 顆螺絲釘固定在後部（見圖）。移去該 3 顆螺絲釘。

Remove the 3 protective screws (used during transportation) and the rubber washer with the corresponding spacer, located on the rear part of the appliance (see figure).

4. 用隨機配備的塑料塞將螺絲釘孔密封。

Close off the holes using the plastic plugs provided.

5. 所有螺絲、膠塞和墊圈必須保留，以便搬家時可重新套入洗衣機，防止於搬運途中有所損壞

Keep all the parts in a safe place: you will need them again if the washing machine needs to be moved to another location.

! 將包裝材料（塑料袋、聚脲泡沫、釘子等）置於兒童不能接觸的地方，以免發生意外。

! Packaging materials should not be used as toys for children.

#### 定位 Levelling



1. 在平坦的硬地板上安裝本機。確保本機周圍的通風不受地毯的阻礙及不緊靠牆壁或其它廚房設備。

Install the washing machine on a flat sturdy floor, without resting it up against walls, furniture cabinets or anything else.

2. 通過左右旋轉可調節機腳，使本機水平放置。本機工作面的坡度不能超過 2 度。

If the floor is not perfectly level, compensate for any unevenness by tightening or loosening the adjustable front feet (see figure); the angle of inclination, measured in relation to the worktop, must not exceed 2°.

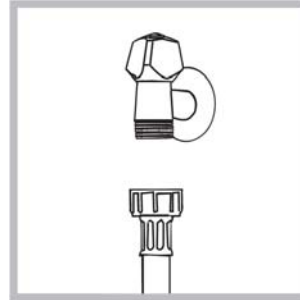
如本機安放在鋪有地毯的地方，本機底部與地板之間必須留有足夠的通風空隙。

Levelling the machine correctly will provide it with stability, help to avoid vibrations and excessive noise and prevent it from shifting while it is operating. If it is placed on carpet or a rug, adjust the feet in such a way as to allow a sufficient ventilation space underneath the washing machine.

### 電源及水源連接

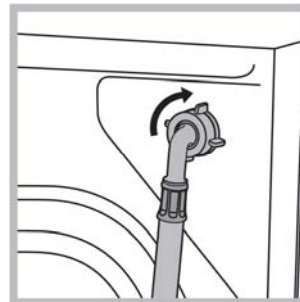
#### Connecting the electricity and water supplies

#### 水源連接 Connecting the water inlet hose



1. 將進水軟管連接到 3/4 吋螺紋的水龍頭上。使用前先進行排放，直至水質清澈為止（見圖）。

Connect the supply pipe by screwing it to a cold water tap using a 3/4 gas threaded connection (see figure). Before performing the connection, allow the water to perfectly clear.



2. 進水軟管的另一端連接本機。只需鬆開接頭配件，轉動軟管並重新緊固接頭配件，確保不漏水即可（見圖）。

Connect the inlet hose to the washing machine by screwing it onto the corresponding water inlet of the appliance, which is situated on the top right-hand side of the rear part of the appliance (see figure).

3. 確認軟管無泄漏或扭結。

Make sure that the hose is not folded over or bent.

! 嚴禁駁接加長軟管。

如必須加長喉管，聯絡認可技術員。

if the inlet hose is not long enough, contact a specialized store or an authorized serviceman.

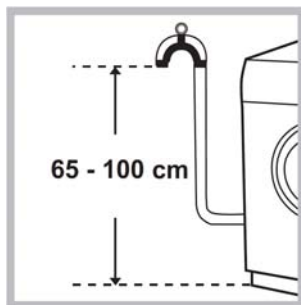
! 更換全新洗衣機時，不要使用二手或舊喉管，應使用跟機配備的全新喉管。

Never use second-hand or old inlet hoses; use the products supplied with the machine.

! 水壓請參考第 2 頁技術參數

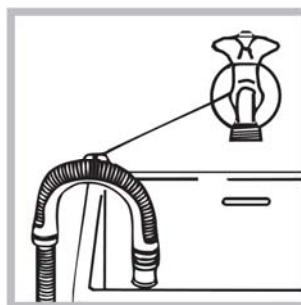
The water pressure at the tap must within the values indicated in the Technical data table. (see next page)

## 排水 Connecting the drain hose



連接排水管道必須高於地面 65-100厘米。  
Connect the drain hose, without bending it, to a draining duct or a wall drain located at a height between 65-100cm from the floor;

注意：  
喉管不能扭曲或摺曲  
make sure it is not bent at all



如果排水管導入浴盆或洗滌盆，將（隨機配備的）特製塑料件安裝上，以使導管頭在排水時保持彎曲，避免出現移位，建議將其固定在水龍頭上。

alternatively, rest it on the side of a washbasin or bathtub, fastening the duct supplied to the tap (see figure). The free end of the hose should not be underwater.

**注意**，導管頭的位置不能低於水面，本機後部有兩個掛著（左右各一個），可根據您的選擇，將軟管固定在其中一個上面。不要延長軟管，如果非得延長，注意其長度不能超過150厘米，而且其直徑必須與原配軟管一樣。

! We advise against the use of hose extensions; if it is absolutely necessary, the extension must have the same diameter as the original hose and must not exceed 150cm in length.

## 電源連接 Electric connection

將電插頭連接入牆上電源插座前，請作以下檢查：  
**Before plugging the appliance into the mains socket, make sure that:**

- 您所使用的插座品質必須符合有關規定。  
The socket is earthed and in compliance with the applicable laws.
- 電源插座必須能夠承受本機數據牌上註明的負荷。  
The socket is able to sustain the appliance's maximum power load indicated in the Technical Data Plate fixed on the machine.
- 電壓必須與本機數據牌上注意的數值一致。  
The power voltage is included within the values indicated on the Technical Data Plate fixed on the machine.
- 所用插座必須適合本機的插頭，如有需要可更換插座或插頭，但不能使用接線插板。  
The socket is compatible with the washing machine's plug. If this is not the case, replace the socket or the plug.

! 本機不可安裝於戶外，即使放在有蓋頂之室外地方也不可以，因將其暴露於風雨中是很危險的。

The washing machine must not be installed outdoors, even in covered areas. It is extremely dangerous to leave the appliance exposed to rain, storms and other weather conditions.

! 電源插座位置，應安裝於容易察覺到的地方。  
When the washing machine has been installed, the electricity socket must be within easy reach.

! 切勿用拖板或萬能插頭。電線不可折曲或壓縮。  
Do not use extension cord or multiple sockets.  
The cable should not be bent or compressed.

! 電源線必須由符合安全法例之電器維修人員更換。  
The power supply cable must only be replaced by authorized technicians.


製造商對違反安全條例所造成的後果概不負責。  
**Warning! The company shall not be held responsible in the event that these regulations are not respected.**

## 啟動洗衣程序 The first wash cycle

洗衣機安裝妥之後，在首次洗滌衣物之前，必須在沒有衣物的情況下進行一次完整洗衣過程。設定程序為 2。

Once the appliance has been installed, and before you use it for the first time, run a wash cycle with detergent and no laundry, using the cycle 2.

## 技術參數 Technical details

型號 Model	IWB 70852 C ECO HK
呎吋(毫米) Dimensions (mm)	595W 闊 x 850H 高 x 520D 深
容量 (公斤) Capacity (kg)	1-7
電壓 Electric connections	請參閱機背的技術參數表 Please refer to the technical data plate fixed to the machine
水壓 Water connections	最大壓力 1 MPa (10 bar) 最小壓力 0.05 MPa (0.5 bar) 缸容積 46升 Maximum pressure 1 MPa (10 bar) Minimum pressure 0.05 MPa (0.5 bar) Drum capacity 46 litres
脫水轉速 每分鐘 (轉) Spin speed (rpm)	0-800
操作程序符合 EN 守則 60456: Control programmes according to EN 60456 directive	洗滌 7公斤時：程序 5；60°C run with a load of 7kg: Programme 5; temperature 60°C
	本機是根據歐盟標準： This appliance is conforms to the following EC Directives： - 2004/108/EC 電磁兼容性 (Electromagnetic Compatibility) - 2012/19/EC - WEEE - 2006/95/EC 低電壓(Low Voltage)

**! 警告：本機必須接上地線。**

製造商對違反安全條例所造成的後果概不負責。

**Warning! THIS APPLIANCE MUST BE EARTHED.**  
**The company denies all liability if and when these norms are not respected.**

The manufacturer reserves the right to make any changes to the machine or components of this model deemed necessary for technical and / or commercial reasons without informing the public.

本機生產廠家保留因為技術和/或商業原因，在必要時對本機或其部件進行改動而不公告的權利。

**本機必須使用跟機配備的全新塑膠軟管連接安裝地點的供水系統。切勿使用舊軟管。**  
**Never use second-hand hoses.**

## 保養須知 Care and maintenance

### 關閉水和電供應

#### Cutting off the water and electricity supplies

- 每次用畢最好關閉進水管龍頭，以免使本機水管接頭承受不必要的壓力。  
Turn off the water tap after every wash cycle. This will limit wear on the hydraulic system inside the washing machine and help to prevent leaks.
- 進行清潔和維修之前必須將電源插頭拔下確保安全。Unplug the washing machine when cleaning it and during all maintenance work.

#### 清潔機身 Cleaning the washing machine

不能使用溶劑或剝蝕性物質清潔本機外殼和橡膠部件，使用棉布、溫水和肥皂即可。

**注意：不要使用甲基性酒精、溶劑或剝蝕性物質擦拭機身。**

The outer parts and rubber components of the appliance can be cleaned using a soft cloth soaked in lukewarm soapy water. Do not use solvents or abrasives.

#### 清洗洗滌劑投放盒

##### Cleaning the detergent disperser drawer



向上抽出整個容格(見圖)，可用陳舊的牙刷，把整個容格於水龍頭下直接用水沖洗。  
投放盒應經常清洗。

Remove the dispenser by raising it and pulling it out (see figure).

Wash it under running water; this operation should be repeated frequently.

#### 洗衣桶及機門保養

##### Caring for the door and drum of your appliance

洗衣後，將機門處於開啟狀態，使洗衣桶內的水分慢慢揮發，以免洗衣機內部產生異味。

Always leave the porthole door ajar in order to prevent unpleasant odours from forming.

不能使用溶劑或剝蝕性物質清潔本機外殼和橡膠部件，使用棉布、溫水和肥皂即可。

**注意：不要使用甲基性酒精、溶劑或剝蝕性物質擦拭機身。**

The outer parts and rubber components of the appliance can be cleaned using a soft cloth soaked in lukewarm soapy water.

**Do not use solvents or abrasives.**

#### 清理排水過濾器 Cleaning the pump

排水過濾器用於收集線頭和疏忽遺留在衣物中的小物件，可打開過濾器檢查是否乾淨。

**重要提示：**清潔排水過濾器前，必須確認本機已經完成洗衣程序，電源插頭已經拔下。

The washing machine is fitted with a self-cleaning pump which does not require any maintenance. Sometimes, small items (such as coins or buttons) may fall into the pre-chamber which protects the pump, situated in its bottom part.

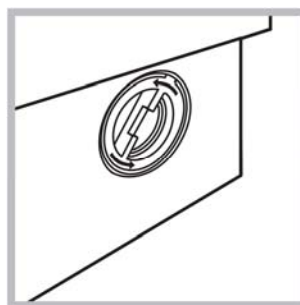
**！ Make sure the wash cycle has finished and unplug the appliance.**

清理阻塞的排水泵：

To access the pre-chamber:



1. 以螺絲批鬆開機前部擋板(見圖) using a screwdriver, remove the cover panel on the lower front part of the washing machine (see figure)



2. 以逆時針方向擰開過濾器  
溫馨提示：打開時通常會有少量餘水溢出，屬正常現象；可先在過濾器前方放置吸水物料或毛巾  
unscrew the lid by rotating it anti clockwise: a little water may trickle out.  
This is perfectly normal

3. 拉出過濾器。  
clean the inside thoroughly;
4. 將過濾器重新蓋上  
screw the lid back on;
5. 然後重新放好過濾器並將其完全擰緊，將擋板扣回  
reposition the panel, making sure the hooks are securely in place before you push it onto the appliance.

#### 檢查入水喉

##### Checking the water inlet hose

應每年檢查膠喉一次，如有損壞，立刻更換。當運用本機時，水壓會很強，裂了的水管可能會爆開。

**注意：**切勿使用舊有或曾用過的喉管。

Check the inlet hose at least once a year. If there are any cracks, it should be replaced immediately: during the wash cycles, water pressure is very strong and a cracked hose could easily split open.

**！ Never use hoses that have already been used.**

## 警告 / 安全提示 Precautions and advice

本機根據國際安全標準設計製造，性能卓越可靠。操作簡易。為確保安全起見，我們建議在安裝或使用本機之前，敬請認真閱讀這些內容。

! This washing machine was designed and constructed in accordance with international safety regulations. The following information is provided for safety reasons and must therefore be read carefully.

## 安全須知 General safety

- 本機專為家庭式使用而設計，安裝於室內，不能放置在室外使用或作工商業用途。  
This appliance was designed for domestic use only.
- 8 歲以上兒童、精神或身體有殘疾，又或缺乏經驗和知識人士，於操作本洗衣機時，必須已獲得監督或指導，從而操作本產品，以免不適當使用本機而導致受損。  
成人應照顧兒童，以確保他們不會將本機作為玩具。  
This appliance can be used by children aged from 8 years and above and persons with reduced physical, sensory or mental capabilities or lack of experience and knowledge if they have been given supervision or instruction concerning use of the appliance in a safe way and understand the hazards involved. Children shall not play with the appliance. Cleaning and user maintenance shall not be made by children without supervision.
- 赤腳及手腳未乾則不可觸碰本機。  
Do not touch the machine when barefoot or with wet or damp hands or feet.
- 不能強拉扯電線來將插頭從插座中拔出，應抓住插頭來將之拔出。  
Do not pull on the power supply cable when unplugging the appliance from the electricity socket. Hold the plug and pull.
- 本機操作時切勿拉出洗滌劑投放盒。  
Do not open the detergent dispenser drawer while the machine is in operation.
- 本機操作時切勿觸及排出的水，因這些水可能達至高溫。  
Do not touch the drained water as it may reach extremely high temperatures.
- 機門處於鎖閉狀時，切勿強行打開機門，以免損壞機門的安全門鎖裝置。  
Never force the porthole door. This could damage the safety lock mechanism designed to prevent accidental opening.
- 在任何情況下，切勿嘗試接觸機身內部的零件及企圖自行修理。  
If the appliance breaks down, do not under any circumstances access the internal mechanisms in an attempt to repair it yourself.
- 在任何情況下，切勿讓兒童操作或擺弄本機。  
Always keep children well away from the appliance while it is operating.
- 本機機門於操作時，會迅即變熱。  
The door can become quite hot during the wash cycle.
- 若須要搬動本機，必須找兩三個人一起小心搬動，切勿單獨行事，因為本機很重。  
If the appliance has to be moved, work in a group of two or three people and handle it with the utmost care. Never try to do this alone, because the appliance is very heavy.
- 將衣物放入洗衣機前，必須確定洗衣鼓內已沒有任何物件。  
Before loading laundry into the washing machine, make sure the drum is empty.

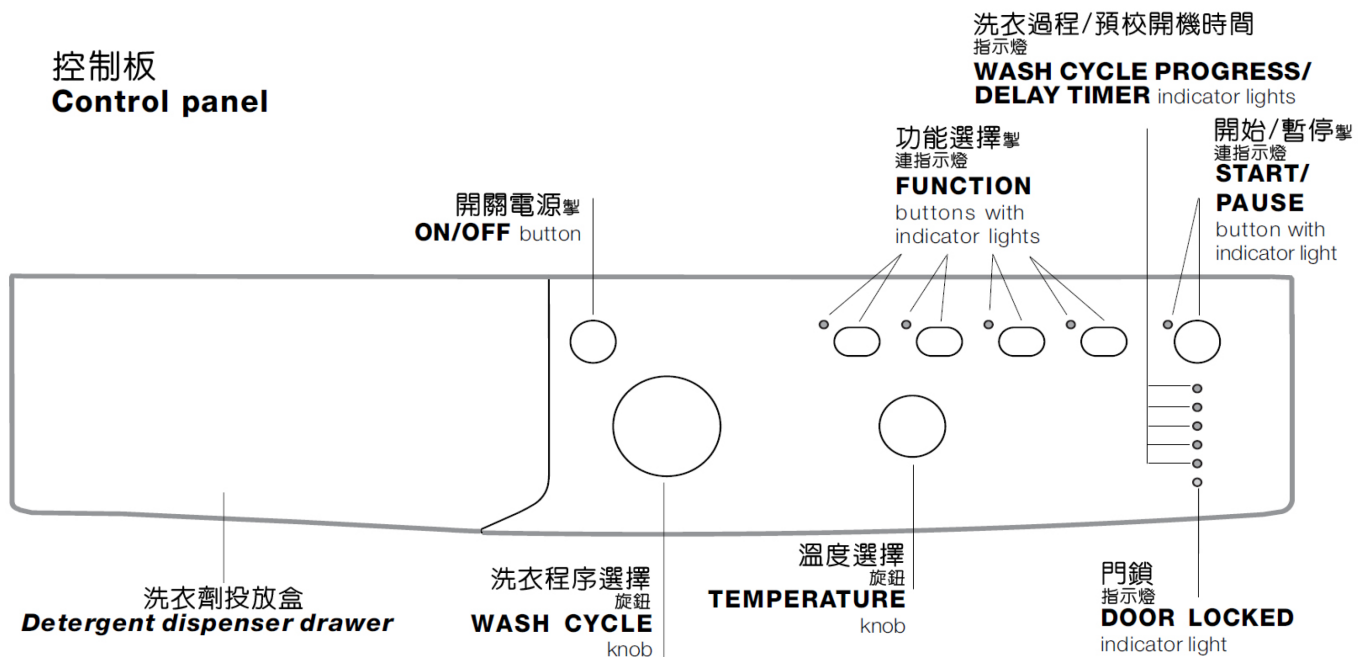
## 廢物處理 Disposal

- 請將包裝箱內可循環再用的物料，放置適當的回收中心，以便循環再用。  
Disposing of the packaging materials: observe local regulations so that the packaging may be re-used.
- 本機標有 **WEEE** 註明符合歐洲關於廢舊電器和電子設備的 2012/19/EU 規定。正確處置舊產品，有效減少對環境破壞和人類健康所導致的潛在負面影響。  
本機標有“廢置箱”加上交叉號符號，即標明不可將此機作為家庭垃圾處理。您必須將其送到適當的電器和電子設備收集站進行回收利用。該產品必須遵照當地的廢物處置現行規定。有關處理、回收產品的詳細資訊，您可聯絡當地的政府有關部門、家用廢物服務中心或購買本產品的商店。  
The European Directive 2012/19/EU on Waste Electrical and Electronic Equipment, requires that old household electrical appliances must not be disposed of in the normal unsorted municipal waste stream. Old appliances must be collected separately in order to optimize the recovery and recycling of the materials they contain and reduce the impact on human health and the environment. The crossed out “wheeled bin” symbol on the product reminds you of your obligation, that when you dispose of the appliance it must be separately collected.  
Consumers should contact their local authority or retailer for information concerning the correct disposal of their old appliance.

建議定期（或每月一次）用洗衣機專用清潔劑清除因自來水產生之沉澱物（如水垢、水鏽）及殘餘的洗衣粉所引起之污垢，這可有助改善洗衣效果和令洗衣機更耐用。  
**We recommend to use Special Scale Remover Power every month to clean the internal parts of the machine.**

本產品不是為下列人士(包括兒童)提供使用：精神或身體有殘疾，又或缺乏經驗和知識人士，除非他們已獲得監督或指導，從而操作本產品。應照看好兒童，確保他們不會將本產品作為玩具。  
This appliance is not intended for use by persons (including children) with reduced physical, sensory or mental capabilities, or lack of experience and knowledge, unless they have given supervision or instruction concerning use of the appliance by a person responsible for their safety.  
Children should be supervised to ensure that they do not play with the appliance.

## 控制板 Control panel



**洗衣劑投放盒：**加入洗滌劑及柔順劑。(見第10頁)

**Detergent dispenser drawer:** used to dispense detergents and washing additives (see page 10).

**開關電源：**

按下此鍵操控洗衣機開/關。

**ON/OFF button:** switches the washing machine on and off.

**洗衣程序選擇旋鈕：**

選擇旋鈕可順時針或逆時針方向旋轉。當程序選定後，選擇旋鈕會停留所選號碼直至程序完畢。

**WASH CYCLE knob:** programmes the wash cycles. During the wash cycle, the knob does not move.

**功能選擇 連指示燈：**

按下按鈕選擇所需的功能，可選多項。燈亮著表示該功能已被接受。如指示燈閃亮後自動熄滅，代表該功能不適用於設定之洗滌程序。

**FUNCTION buttons with indicator light:** used to select the available functions. The indicator light corresponding to the selected function will remain lit.

**溫度選擇旋鈕：**

用作選擇洗衣溫度或冷水洗滌。(見第8頁)

**TEMPERATURE knob:** sets the temperature or the cold wash cycle (see page 8).

**洗衣過程/預校開機時間指示燈：**

洗衣程序進行中，指示燈會按洗衣狀況順序亮起。

設定所需的預校開機時間，指示燈會在所選之時間上亮著。

**WASH CYCLE PROGRESS / DELAY TIMER indicator lights:** used to monitor the progress of the wash cycle. The illuminated indicator light shows which phase is in progress.

If the Delay Timer function has been set, the time remaining until the wash cycle starts will be indicated.

**門鎖指示燈：**燈亮著表示機門處於鎖閉狀態。(見下頁)

**DOOR LOCKED indicator light:** Indicates whether the door may be opened or not (see next page).

**開始/暫停 連指示燈：**

用作開始洗衣程序或暫停洗衣程序。

**注意：**如需在洗衣程序中暫停運作，按下此掣，指示燈轉為橙色並且閃動；門鎖燈熄滅，機門可以打開(約待3分鐘)。在洗衣程序中斷後要繼續運作，再按下掣。

**START / PAUSE button with indicator light:** starts or temporarily interrupts the wash cycles.

**N.B.** To pause the wash cycle in progress, press this button; the corresponding indicator light will flash orange, while the indicator light for the current wash cycle phase will remain lit in a fixed manner. If the DOOR LOCKED indicator light is switched off, the door may be opened (wait approximately 3 minutes).

To start the wash cycle from the point at which it was interrupted, press this button again.

**備用模式**

此洗衣機符合節能新規例，附設一個自動備用系統，當啟動本機約 30 分鐘後，如仍檢測不到任何指示，將會自動進入備用模式。要重新開機，只需按下電源掣。

**Standby mode**

This washing machine, in compliance with new energy saving regulations, is fitted with an automatic standby system which is enabled after about 30 minutes if no activity is detected. Press the ON-OFF button briefly and wait for the machine to start up again.

## 指示燈 Indicator lights

如果延遲操作已啟動，指示燈會在相應指示燈上閃亮。

The indicator lights provide important information.


This is what they can tell you:

### 預校開機時間 Delay Timer

如已設定預校開機時間，當洗衣程序被啟動後，指示燈會於所選之延遲時間燈上亮著：

If the DELAY TIMER function has been activated, after the wash cycle has been started the indicator light

corresponding to the selected delay period will begin to flash:

3h 

6h 

9h 

12h 

預校開機時間進行中，餘下時間所示之指示燈會持續亮著，直至預校開機時間完成：

As time passes, the remaining delay will be displayed and the corresponding indicator light will flash:

3h 

6h 

9h 

12h 



預校開機時間操作完成後，指示燈熄滅，洗衣程序隨即進行。

The set programme will start once the selected time delay has expired.

### 門鎖指示燈 Door locked indicator light

當燈號轉為持續亮起，表示門鎖功能已啟動，機門處於鎖閉狀態。當洗滌程序結束後，約3分鐘後指示燈熄滅，才能打開機門。如已選擇預校時間洗衣，機門將不能打開。在此情況下，可按下開始 / 暫停掣，將洗衣機設定為暫停，再打開機門。When the indicator light is on, the porthole door is locked to prevent it from being opened; make sure the indicator light is off before opening the door (wait approximately 3 minutes). To open the door during a running wash cycle, press the START/PAUSE button; the door may be opened once the DOOR LOCKED indicator light turns off.

## 洗衣程序運作 Starting a wash cycle

1. 按下開關掣，所有指示燈會一起閃動約數秒，隨即熄滅，開始/暫停指示燈會慢慢閃動。  
Switch the washing machine on by pressing the ON/OFF button. All indicator lights will switch on for a few seconds, then they will switch off and the START/PAUSE indicator light will pulse.
2. 將衣物放入洗衣鼓內，關閉機門。切勿放置過量衣物，否則將影響洗衣效果及機件。  
Load the laundry and close the door.
3. 將洗衣程序選擇旋鈕調至所需程序。  
Set the WASH CYCLE knob to the desired programme.
4. 設定洗衣水溫。(見第8頁)  
Set the washing temperature (see page 8).
5. 加入適量洗滌劑及柔順劑。(見第10頁)  
Measure out the detergent and washing additives (see page 10).
6. 選擇所需的功能。  
Select the desired functions.
7. 按下開始/暫停掣，表示洗滌程序開始運作，相應指示燈會持續以綠色亮起。  
要在程序進行中取消或變更程序，按下開始/暫停掣，暫停洗衣機運作。然後再重新選擇新的程序，再次按下開始/暫停掣啟動新的程序。  
Start the wash cycle by pressing the START/PAUSE button and the corresponding indicator light will remain lit in a fixed manner, in green.  
To cancel the set wash cycle, pause the machine by pressing the START/PAUSE button and select a new cycle.
8. 程序結束時，**END** 指示燈亮著，門鎖燈  熄滅，表示機門可以打開。取出洗畢衣物後，打開機門通風及隨即關閉電源掣和水龍頭。  
At the end of the wash cycle the **END** indicator light will switch on. The door can be opened once the DOOR LOCKED  indicator light turns off. Take out your laundry and leave the appliance door ajar to make sure the drum dries completely. Switch the washing machine off by pressing the ON/OFF button.

## 洗衣程序階段指示 Wash cycle phase indicator lights

如已設定預校開機時間，當洗衣程序被啟動後，指示燈會於所選之延遲時間燈上亮著：

If the DELAY TIMER function has been activated, after the wash cycle has been started the indicator light corresponding to the selected delay period will begin to flash:

洗衣 Wash	
過水 Rinse	
脫衣 Spin	
排水 Drain	
結束 End of wash cycle	

## 功能掣和相應的指示燈

### Function buttons and corresponding indicator lights

根據不同的程序，可將不同的功能組合起來。先選定程序後，按下所需功能掣，對應的指示燈會持續亮起。如果選取不正確的選項，指示燈會閃爍後隨即熄滅。



When a function is selected, the corresponding indicator light will illuminate.

If the selected function is not compatible with the programmed wash cycle, the corresponding indicator light will flash and the function will not be activated.

If the selected function is not compatible with another function which has been selected previously, the indicator light corresponding to the first function selected will flash and only the second function will be activated; the indicator light corresponding to the enabled option will remain lit.



## 程序表 Table of wash cycles

洗衣程序 Wash Cycle	程序說明 Description of the wash cycle	最高溫度 Max temp (°C)	最高轉速 Max. speed (rpm)	洗滌劑 Detergents			最大洗衣量 Max. load (kg)	大約洗衣時間 (分鐘) Cycle duration (mins)
				預洗 Pre-wash	洗滌 Wash	柔順劑 Fabric softener		
<b>日常洗衣程序 Daily</b>								
1	白色棉質 90°：深層污垢白色衣物 White Cotton 90°: extremely soiled whites.	90°	800	●	●	●	7	205
2	混色衣物：污漬較少白色及不易褪色衣物 Mix colored: lightly soiled whites and delicate colours.	40°	800	-	●	●	7	105
3	合成纖維：污漬較多不易褪色衣物 Synthetics: heavily soiled resistant colours.	60°	800	-	●	●	3	120
4	精緻合成纖維：污漬較少不易褪色衣物 Synthetics (3): lightly soiled resistant colours	40°	800	-	●	●	3	110
5	節能棉質 60°：污漬較多及不易褪色棉質衣物 Eco Cotton 60°: heavily soiled resistant colours.	60°	800	-	●	●	7	155
5	節能棉質 40°：污漬較少及不易褪色棉質衣物 Eco Cotton 40°: lightly soiled resistant colours	40°	800	-	●	●	7	185
<b>20°洗衣 20° Zone</b>								
6	20°棉質：污漬較多白色及精緻衣物 Cotton Standard 20°: heavily soiled whites and delicate colours.	20°	800	-	●	●	7	180
7	混色：污漬較少衣物 Mix Light: lightly soiled	20°	800	-	●	●	7	115
8	20分鐘清新衣物 20' Refresh	20°	800	-	●	●	1.5	20
<b>特別程序 Special</b>								
9	絲質/窗簾：洗滌絲質、纖維、內衣等的衣物 Silk / Curtains: for garments in silk and viscose, lingerie	30°	0	-	●	●	1	55
10	羊毛衣物：羊毛、茄士咩 Wool: for wool, cashmere, etc.	40°	800	-	●	●	1.5	80
11	牛仔衣物 Jeans	40°	800	-	●	●	3	80
<b>運動衣物 Sport</b>								
12	深層清洗運動衣物 Sport Intensive	30°	600	-	●	●	3	85
13	清洗運動衣物 Sport Light	30°	600	-	●	●	3	60
14	運動鞋 Special Shoes	30°	600	-	●	●	最多2對 Max 2pairs	55
<b>個別程序 Partial wash cycles</b>								
	過水 Rinse	-	800	-	-	●	7	36
	脫水+排水 Spin + Drain	-	800	-	-	-	7	10

此程序表只供參考。由於個別地區水壓、水溫及洗滌劑量等不同之影響，洗衣時間可能與實際情況有差別。

The information contained in the table is intended as guide only.

測試規則 For Test Institutes :

試洗衣程序根據 EN 60456 準則：設定洗衣程序 5：60°C。

Test wash cycle in compliance with regulation EN 60456: set wash cycle 5 with a temperature of 60°C.

**20°洗衣程序**：於低水溫下，能有效地潔淨衣物，減少用電量和電費支出的同時，更能保護環境。**20°洗衣**適用於下列程序：

**The 20° wash cycles (20° Zone)** offer effective washing performance at low temperatures, reducing electricity usage and expenditure while benefitting the environment. The 20° wash cycles meet all requirements:

**20°棉質程序 (程序 6)**：適用於污漬較多的棉質衣物。機鼓於 20°水溫下重覆以不同轉速令水流發揮 40°水溫潔力。

**Cotton Standard 20° (programme 6)** ideal for heavily soiled cotton loads. The effective performance levels achieved at cold temperatures, which are comparable to washing at 40°, are guaranteed by a mechanical action which operates at varying speed, with repeated and frequent peaks.

**20分鐘清新衣物 (程序 8)**：能於 20 分鐘內清洗輕微污漬衣物，節省時間更能節約能源。此功能可洗濯不同物料衣物（羊毛和絲質除外），最大洗衣量為 1.5 公斤。

**20' Refresh (programme 8)** ideal for refreshing and washing lightly soiled garments in a few minutes. It lasts just 20 minutes and therefore saves both time and energy. It can be used to wash different types of fabrics together (except for wool and silk), with a maximum load of 1.5kg.

**深層清洗運動衣物 (程序 12)**：這程序適用於洗滌深層污垢運動衣物(如田徑賽服、短褲等等)，要得到最佳洗滌效果，建議全機衣物重量不可超過 3 公斤及使用一般建議液體洗滌劑用量一半。

**Sport Intensive (wash cycle 12)** is for washing heavily soiled sports clothing fabrics (tracksuits, shorts, etc.); for best results, we recommend not exceeding the maximum load indicated in the *Table of wash cycles*.

**清洗運動服飾 (洗滌程序 13)**：這程序適用於洗滌輕微污漬的運動衣物(如田徑賽服、短褲等等)，要得到最佳洗滌效果，建議全機衣物重量不可超過 2.5 公斤及使用一般建議液體洗滌劑用量一半。

**Sport Light (wash cycle 13)** is for washing lightly soiled sports clothing fabrics (tracksuits, shorts, etc.); for best results, we recommend not exceeding the maximum load indicated in the *Table of wash cycles*. We recommend using a liquid detergent and dosage suitable for a half-load.

**運動鞋 (洗滌程序 14)**：此程序適用於洗滌運動鞋，要得到最佳洗滌效果。每次最多洗滌 2 對運動鞋。

**Sport Shoes (wash cycle 14)** is for washing sports shoes; for best results, do not wash more than 2 pairs simultaneously.

## 溫度選擇 Setting the temperature

旋動溫度選擇旋鈕，用作調較及設定洗滌之溫度。（可參考程序表）  
可選擇低水溫，或冷水洗滌程序❄️。

Turn the TEMPERATURE knob to set the wash temperature (see Table of wash cycles).  
The temperature may be lowered, or even set to a cold wash❄️.

## 功能 Functions

根據衣物須求選取洗衣功能，則每次均能達到預期效果。

The various wash functions available with this washing machine will help to achieve the desired results, every time. To activate the functions:

1. 按下相應的功能掣，對應的指示燈亮起；  
press the button corresponding to the desired function;
2. 如果選擇的功能不適合所需程序，指示燈將閃動後隨即熄滅。  
the function is enabled when the corresponding indicator light is illuminated.

注意 Note :

- 如所選取功能未能與洗衣程序相容，對應的指示燈會閃動，功能未被使用。

If the selected function is not compatible with the programmed wash cycle, the corresponding indicator light will flash and the function will not be activated.

- 如所選取功能不能與其他選項相容，則對應的指示燈會亮著，不相容的功能燈會閃爍後燈滅。

If the selected function is not compatible with another function which has been selected previously, the indicator light corresponding to the first function selected will flash and only the second function will be activated; the indicator light corresponding to the enabled option will remain lit.

## Eco環保程序

於對付輕微污漬的棉質或合成纖維衣物時，此功能可調節轉速、溫度及注水量，更省電省水，以達致環保效益。  
建議於洗衣時選用洗衣液，將更能達至環保效果。

### EcoTime

Selecting this option enables you to suitably adjust drum rotation, temperature and water to a reduced load of lightly soiled cotton and synthetic fabrics (refer to the Table of wash cycles). **EcoTime** enables you to wash in less time thereby saving water and electricity. We suggest using a liquid detergent suitably measured out to the load quantity.

## 節約能源程序 Energy Saver

使用此功能除可縮短洗衣時間外，更能達致節省能源，保護環境。洗衣操作時，以不同轉速優化水流轉動，讓冷水代替熱水於日常洗衣程序中發揮潔力。

建議以此功能洗滌污漬較少衣物。可使用無泡洗衣液。

This option washes cotton and synthetic items, saving energy and helping the environment. Energy saving is due to a cold wash cycle, while an enhanced mechanical action and optimised water use make it possible to reach the desired result. Recommended for slightly soiled garments. Use of liquid detergent (Non-foaming) recommended.

## 轉速調校 Speed settings

此功能可按須要調較轉速。

To reduce the spin speed, press this button.

## 預校開機時間 Delay timer

按下預校開機時間指示燈至燈亮，重覆按下以選取所需預校開機時間。屏幕上出現如須移除預校開機時間，按下按鈕直至 OFF 字樣出現。預校開機時間設定最高為12小時。

按下預校開機時間，對應指示燈會燈亮，再選擇所需預校開機時間。

按下5次後，所有指示燈將熄滅，即表示預校開機時間已取消。

註：如須變更預校開機時間，按下開始/暫停掣，時間將以遞減變更。

The timer delays the start time of the wash cycle by up to 12 hours.

Press the button repeatedly until the indicator light corresponding to the desired delay time switches on. The fifth time the button is pressed, the function will be disabled.

N.B. Once you have pressed the START/PAUSE button, the delay time may only be decreased if you wish to modify it.

### 注意:

1. 使用過多洗滌劑會引致洗衣時間延長、影響脫水效果令衣物較濕及損壞機件。
2. 避免洗滌劑與其他清潔消毒用品(如:彩漂、滴露...)混合使用，以免因不同化學製品混合而產生過多泡沫。
3. 洗滌劑與柔順劑之用量必須跟據包裝上的標籤指示。

### 查看衣物洗滌標誌

衣物上面一般都有洗滌標誌（它們將告訴您應該採用乾洗、手洗或機洗），上面標有洗滌溫度，說明應該如何熨燙等等。

#### Read Labels

Items of clothing and household linen all have labels indicating how they should be washed (dry clean, washing machine, hand wash), what temperature to use and if and how to iron.

## 洗滌劑 Detergent dispenser drawer

加入適量洗滌劑及柔順劑能有效提高洗衣效果，但切忌過量，以免產生過多泡沫損害本機之零件，及殘餘洗衣劑乾涸及沉積在內桶底，亦會對環境造成損害。

Good washing results also depend on the correct dose of detergent: adding too much detergent will not necessarily result in a more efficient wash, and may in fact cause build up on the inside of your appliance and contribute to environmental pollution.

！注意：不可使用手洗或有泡洗滌劑，以免出現過多泡沫。  
Do not use hand washing detergents because these create too much foam.

！如洗濯白色棉質衣物，可選水溫 60°C 預洗。  
Use powder detergent for white cotton garments, for pre-washing, and for washing at temperatures over 60°C.

！使用洗衣劑時，必須按包裝上說明之使用份量。  
！ Follow the instructions given on the detergent packaging.



打開洗衣劑投放盒，按圖將洗滌劑及柔順劑倒入盛載格內(見圖)  
Open the detergent dispenser drawer and pour in the detergent or washing additive, as follows.

### 盒子1 Compartment 1 :

預洗程序、洗滌劑用 (洗衣粉)  
Pre-wash detergent (powder)

### 盒子2 Compartment 2 :

主洗程序、洗滌劑用 (洗衣粉或無泡洗衣液)  
Detergent for the wash cycle (powder or Non-foaming liquid)  
如須使用無泡洗衣液，必須於洗衣程序開始前注入。  
Liquid detergent (Non-foaming) should only be poured in immediately prior to the start of the wash cycle.

### 盒子3 Compartment 3 :

衣物柔順劑 (注意：先稀釋及不應過量)  
Additives (fabric softeners, etc.)

注入柔順劑時，注意勿越過指定界線。  
The fabric softener should not overflow the grid.

## 洗衣前準備 Preparing your laundry

- 根據衣物種類和顏色來分類 Divide the laundry according to :
  - 依照衣物標籤說明  
the type of fabric/the symbol on the label
  - 確保白色和顏色衣物分開洗濯  
the colours: separate coloured garments from whites
- 確保衣物中沒有金屬物品(如髮夾、大頭針、安全扣、硬幣和紙巾等)及鈕扣是否有鬆開。  
Empty all garments pockets and check for loose buttons.
- 要得到最佳洗滌效果，衣物重量按洗衣程序所列示，不應超出表內列出範圍。  
Do not exceed the values listed in the "Table of wash cycles", which refer to the weight of the laundry when dry.

衣物重量: (以下為參考重量)

## How much does your laundry weigh?

1 張牀單 sheet	400-500 克(g)
1 個枕頭套 pillow case	150-200 克(g)
1 張枱布 tablecloth	400-500 克(g)
1 件浴袍 bathrobe	900-1,200 克(g)
1 條毛巾 towel	150-250 克(g)

## 特別程序 Special wash cycle

**絲質：**程序9專為洗濯絲織品及細緻衣物而設。建議洗濯使用專細緻衣物而設的洗衣劑。

**Silk:** use special wash cycle 9 to wash all silk garments. We recommend the use of special detergent which has been designed to wash delicate clothes. Gym Kit: cycle suitable to wash all sports items together, including gym towels, while respecting their fibres (follow the instructions in the garment labels).

**羊毛衣物：**可使用程序10洗滌羊毛衣物，及洗衣標織上註明可手洗衣物。重量不能超過1公斤。使用羊毛專用清洗劑時需減少劑量，過多泡沫會影響洗滌效果。

**Wool:** all wool garments can be washed using programme 10, even those carrying the "hand-wash only" label. For best results, use special detergents and do not exceed 1kg of laundry.

**牛仔褲：**程序11適用於洗滌牛仔衣物。建議將牛仔衣物底面反轉後才洗滌。

**Jeans:** Use programme 11 to wash jeans garments. Turn garments inside-out before washing.

## 衣物平衡系統 Load-balancing system

本機配有電子負荷平衡控制系統，在脫水程序進行前，該系統會先將洗衣桶內的衣物盡量均勻地分佈。若系統發覺桶內衣物未能均勻地分佈時，系統會把脫水速度降低。這可減少脫水時機器高速旋轉所產生的震動而損壞機件。為獲得最佳洗滌效果，建議將不同大小的衣物混合洗滌，並將其均勻擺放。但一次不要洗滌過多毛織物。

Before every spin cycle, to avoid excessive vibrations and to distribute the load in a uniform manner, the drum rotates continuously at a speed which is slightly greater than the washing rotation speed. If, after several attempts, the load is not balanced correctly, the machine spins at a reduced spin speed. If the load is excessively unbalanced, the washing machine performs the distribution process instead of spinning. To encourage improved load distribution and balance, we recommend small and large garments are mixed in the load.

## 疑難解答 **Troubleshooting**

如果本機的操作不正常，在與維修人員聯繫之前，有些項目您可以預先進行檢查，例如，您或許忘記了開啟電源鍵，或者操作方法不當等等。

Your washing machine could fail to work. Before contacting the Technical Assistance Centre (see "Assistance"), make sure that the problem cannot be not solved easily using the following list.

故障 <b>Problem</b>	可能成因 / 處理方法 <b>Possible causes / Solutions</b>
<b>洗衣機不能啟動及沒有顯示燈發亮</b> <b>The washing machine does not switch on</b>	<ul style="list-style-type: none"> <li>● 本機未插上電源插頭或插座沒有電。 The appliance is not plugged into the socket fully, or is not making contact.</li> <li>● 電源保險絲熔斷，家裡的供電是否正常。 There is no power in the house.</li> </ul>
<b>洗衣程序不能啟動</b> <b>The water cycle does not start</b>	<ul style="list-style-type: none"> <li>● 機門是否已關好。 The washing machine door is not closed properly.</li> <li>● 電源掣來按下。 The ON/OFF button has not been pressed.</li> <li>● 開始/暫停掣未按下。 The START/PAUSE button has not been pressed.</li> <li>● 水龍頭未打開。 The water tap has not been opened.</li> <li>● 已設定延遲操作程序。 A delayed start has been set.</li> </ul>
<b>洗衣機不進水</b> <b>(顯示屏上出現 H2O 字樣)</b> <b>The washing machine does not take in water</b> <b>(H2O will flash on the display)</b>	<ul style="list-style-type: none"> <li>● 水龍頭與進水管未有連接。 The water inlet hose is not connected to the tap.</li> <li>● 進水軟管被壓扁或扭結。 The hose is bent.</li> <li>● 家裡的自來水總閘門/水龍頭未打開。 The water tap has not been opened.</li> <li>● 家裡暫停來水。 There is no water supply in the house.</li> <li>● 自來水未能達到了應有的壓力。 The pressure is too low.</li> <li>● 開始/暫停掣未按下。 The START/PAUSE button has not been pressed.</li> </ul>
<b>不停地進水和排水</b> <b>The washing machine continuously takes in and drains water</b>	<ul style="list-style-type: none"> <li>● 連接排水管的管道，離地高度必須在 65 和 100cm 之間。 The drain hose is not fitted at a height between 65 and 100cm from the floor.</li> <li>● 排水軟管末端位置太低。請參閱"排水"部分中的有關段落。 The free end of the hose is under water.</li> <li>● 排水系統是否已安裝泄氣/通氣位。 The wall drainage system is not fitted with a breather pipe.</li> </ul> <p>如情況未有改善，先關閉水喉及本機，並即與維修中心聯絡。 如洗衣機處於上樓層單位，則有可能出現排水問題。可購買特製的防去水堵塞瓣解決這問題。 If the problem persists even after these checks, turn off the water tap, switch the appliance off and contact the Assistance Service. If the dwelling is one of the upper floors of a building, there may be problems relating to water drainage, causing the washing machine to fill with water and drain continuously. Special anti-draining valves are available in shops and help to avoid this inconvenience.</p>

故障 Problem	可能成因 / 處理方法 Possible causes / Solutions
<p>排水和脫水故障 The washing machine does not drain or spin</p>	<ul style="list-style-type: none"> <li>● 所選程序沒有排水功能或不脫水功能。 The wash cycle does not include draining: some wash cycles require the drain phase to be started manually.</li> <li>● 排水軟管被壓扁扭結。 The drain hose is bent.</li> <li>● 排水過濾器堵塞。 The drainage duct is clogged.</li> </ul>
<p>脫水時震動過大 The washing machine vibrates a lot during the spin cycle</p>	<ul style="list-style-type: none"> <li>● 安裝時是否使脫水桶保持平衡。搬運用螺絲釘和包裝材料是否取下。 The drum was not unlocked correctly during installation.</li> <li>● 洗衣機是否平衡安放，衣物放置不平均，可能洗衣桶內衣物太少。 The washing machine is not level.</li> <li>● 是否夾於家具和牆壁之間。地面不夠平穩。 The washing machine is trapped between cabinets and walls.</li> </ul>
<p>漏水 The washing machine leak</p>	<ul style="list-style-type: none"> <li>● 檢查進水軟管緊固件是否有滲漏。 The water inlet hose is not screwed on properly.</li> <li>● 洗滌劑投放盒是否堵塞。 The detergent dispenser drawer is blocked (for cleaning instruction).</li> <li>● 排水軟管未能固定。 The drain hose is not fixed properly.</li> </ul>
<p>功能及開始/暫停顯示燈異常閃動 洗衣過程及門鎖顯示燈亮著 The “function” indicator lights and the “START/PAUSE” indicator light flash, while one of the “phase in progress” indicator lights and the “door locked” indicator light will remain lit in a fixed manner.</p>	<ul style="list-style-type: none"> <li>● 關掉洗衣機，將電源插頭拔下。待 1 分鐘後再重新啓動，如情況未有改善，請即與維修中心聯絡。 Switch off the machine and unplug it, wait for approximately 1 minute and then switch it back on again. If the problem persists, contract the Technical Assistance Service.</li> </ul>
<p>泡沫過多 There is too much foam</p>	<ul style="list-style-type: none"> <li>● 洗滌劑是否適用於洗衣機？ 檢查洗滌劑盒上的標籤是「適合機洗」或「適合手洗」，或其他相關語句。 The detergent is not suitable for machine washing (it should display the text “for washing machines” or “hand and machine wash”, or the like).</li> <li>● 使用份量是否正確？ 過量的洗滌劑會造成太多泡沫，這並不保證衣物可以更乾淨。而且這樣可能會引致洗衣機內的機件損壞。 Too much detergent was used.</li> </ul>

! 如進行了上述檢查後，仍不能確定或排除故障，請先關閉水龍頭及電源並即與愛朗維修中心聯系。

If the problem persists even after these checks, turn off the water tap, switch the appliance off and contact the Assistance Service.

#### **聯絡維修中心前 Before calling for Assistance :**

- 儘量自行解決問題(請參閱“疑難解答”指示)。

Check whether you can resolve the problem alone;

- 重新啟動洗衣程序，檢查問題是否已解決。

Restart the programme to check whether the problem has been solved;

- 如洗衣機仍不正常操作，請致電維修中心。

If this is not the case, contact an authorized Technical Assistance Centre using the telephone number provided on the guarantee certificate.

! 如因不正確使用或非本公司授權技術人員安裝而導致的故障，不論是否處於保養期，都需要支付有關費用。

If the machine has been installed or used incorrectly, you may be charged for the maintenance callout service.

! 要得到認許的技術人員協助及使用原廠配件。

Always request the assistance of authorized technicians.

並且提供以下資料 Have the following information ready :

- 故障種類

the type of problem;

- 洗衣機型號 (Mod...)

the appliance model (Mod.);

- 洗衣機編號或保修卡上的號碼 (S/N...)

the serial number (S/N).

售後服務標籤位處於機背及機門之後。您可根據標籤上的洗衣機型號及編號，在與維修中心聯系時更方便快捷。

This information can be found on the appliance data plate situated on the rear of the washing machine.



