

**User Manual and
Online Warranty Registration Information**

使用說明及網上登記保養資料

Model 產品型號 : MWE71480HK


<https://www.indesit.hk/>

ENGLISH 3

繁體中文 12

ENGLISH

USER MANUAL

 This symbol reminds you to read this instruction manual.

INDEX

USER MANUAL	4-5-6
Control Panel	4
Wash Cycle Table	4
Product Description	4
Detergent Dispenser Drawer	4
Wash Cycles	5
Display	5
Door Locked Indicator	5
First-Time Use	5
Daily Use	5
Pausing a Cycle	5
Opening the Door, If Necessary	5
Changing a Running Wash Cycle	5
End of the Cycle	5
Options	5-6
Child Lock	6
Tips and Suggestions	6
Care and Maintenance	6
Load Balancing System	6
Accessories	6
Transport and Handling	6
TROUBLESHOOTING	7
INSTALLATION GUIDE	8-9
SAFETY INSTRUCTIONS	10-11
REPAIR INFORMATION	11

THANK YOU FOR BUYING AN INDESIT PRODUCT



In order to receive a more complete assistance, please register your product on www.indesit.hk/registration

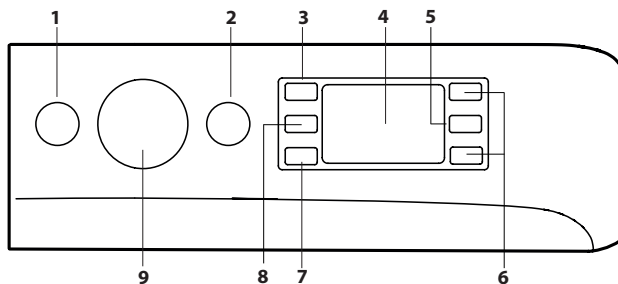


Before using the appliance carefully read the Safety Instruction.

Before using the machine, it is imperative that the transport bolts are removed. For more detailed instructions on how to remove them, see the Installation Guide.

CONTROL PANEL

1. ON/OFF button
2. START/PAUSE button and indicator light
3. TEMPERATURE button
4. DISPLAY
5. CHILD LOCK button
6. OPTION buttons
7. DELAYED START button
8. SPIN button
9. WASH CYCLE SELECTOR KNOB



WASH CYCLE TABLE

Model no.: MWE71480HK Washing Capacity: 7kg Spin Speed: 0 -1400rpm							Options		Detergents and Additives			Recommended detergent		
Wash cycle		Temperature		Maxim spin (r.p.m.)	Max. load (kg)	Default Cycle Duration (hh : mm)	Stain Removal	Sport	Prewash	Wash	Fabric softener	Powder	Liquid	
		Setting	Range						1	2	3			
FAST CYCLES	1	Mixed 59'	40°C	☼ - 40°C	1000	7	0:59	○	○	-	●	○	-	✓
	2	Cotton 59'	60°C	☼ - 60°C	1000	7	0:59	○	○	-	●	○	✓	✓
	3	Cotton 45'	40°C	☼ - 40°C	1200	7	0:45	○	○	-	●	○	-	✓
	4	Cotton 30'	30°C	☼ - 30°C	800	3.5	0:30	○	○	-	●	○	-	✓
	5	Synthetics 59'	30°C	☼ - 30°C	1000	4	0:59	○	○	-	●	○	-	✓
	6	Silk & Delicates 59'	30°C	☼ - 30°C	0	1.5	0:59	○	○	-	●	○	-	✓
	7	Wool 59'	40°C	☼ - 40°C	800	1.5	0:59	○	○	-	●	○	-	✓
	8	Express 15'	20°C	☼ - 20°C	800	1.5	0:15	○	○	-	●	○	-	✓
TRADITIONALS	9	Cotton (2)	40°C	☼ - 60°C	1400	7	3:50	○	○	-	●	○	✓	✓
	10	Synthetics (3)	40°C	☼ - 60°C	1200	4	2:35	○	○	-	●	○	✓	✓
	11	Whites	60°C	☼ - 90°C	1400	7	2:30	●	○	● +90°	●	○	✓	✓
	12	Sport	30°C	☼ - 30°C	600	3.5	0:55	○	●	-	●	○	-	✓
	13	Cotton 20°	20°C	☼ - 20°C	1400	7	1:50	○	○	-	●	○	-	✓
	14	Eco Cotton 40°-60°(1)	60°C	☼ - 60°C	1400	7	2:55	○	○	-	●	○	✓	✓
	15	Rinse + Spin	-	-	1400	7	0:55	○	○	-	-	○	-	-
	16	Spin + Drain *	-	-	1400	7	0:10	○	○	-	-	-	-	-

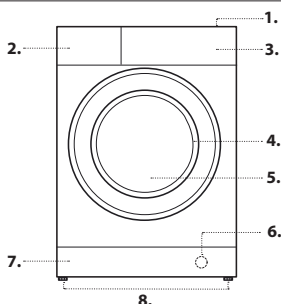
● Option available / Required dosage ○ Option not available / Optional dosage

The cycle duration indicated on the display or instruction manual is an estimate based on standard conditions. The actual duration may vary in relation to several factors, such as the temperature and pressure of the incoming water, ambient temperature, amount of detergent, load quantity and type, load balancing and any additional options selected.

1) Eco Cotton 40°-60° Test wash cycle in compliance with EU Ecodesign regulation 2019/2014. The most efficient programme in terms of energy and water consumption for washing normally soiled cotton laundry.

PRODUCT DESCRIPTION

1. Top
2. Detergent dispenser drawer
3. Control panel
4. Handle
5. Porthole door
6. Drain pump (behind the plinth)
7. Plinth (removable)
8. Adjustable feet (2)



For all testing institutes:

- 2) Long cotton cycle: set cycle 9 at a temperature of 40°C.
- 3) Long synthetics cycle: set cycle 10 at a temperature of 40°C.

* By selecting the 16 cycle and excluding the spin cycle, the washing machine will drain only.

DETERGENT DISPENSER DRAWER

Compartment 1: Pre-wash detergent (powder)

Compartment 2: Washing detergent (powder or liquid)

If liquid detergent is used, the removable plastic partition **A** (if supplied) should be used for proper dosage. If powder detergent is used, insert the partition into slot **B**.

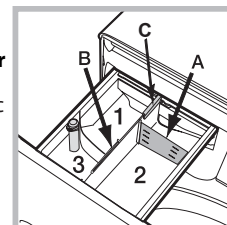
Compartment 3: Additives (fabric softener, etc.)

The fabric softener must never exceed the "max" level indicated on the central pin.

! Use powder detergent for white cotton garments, for pre-washing, and for washing at temperatures over 60°C.

! Follow the instructions given on the detergent packaging.

! To remove the drawer, press lever **C** and pull the drawer outwards.



WASH CYCLES

Follow the instructions on the symbols of the garment's wash care label. The value indicated in the symbol is the maximum recommended temperature for washing the garment.



Mixed 59'

To wash mixed and coloured items together.

Cotton 59'

Cycle designed to wash cotton garments - mainly white items. It can be used with powder detergent too.

Cotton 45'

Short cycle designed to wash delicate cotton items.

Cotton 30'

Short cycle designed to wash a mixed load of cotton and synthetic fabrics - white and coloured items together.

Synthetics 59'

Suitable for washing moderately soiled garments made of synthetic fibres (e.g. polyester, polyacrylic, viscose, etc.) or mixed synthetic-cotton fibres.

Silk & Delicates 59'

To wash all silk and delicate garments. We recommend the use of special detergent which has been designed to wash delicate clothes.

Wool 59'

All wool garments can be washed using programme 7, even those carrying the "hand-wash only" label. For best results, use special detergents and do not exceed 1.5 kg of laundry.

Express 15'

This cycle refreshes your garments in just 15 minutes.

Cotton

Suitable for washing towels, underwear, table cloths, etc. made of resistant linen and cotton that are moderately to heavily soiled.

Synthetics

Specific for synthetic items. If the dirt is difficult to remove, the temperature can be increased up to 60° and powder detergent can be used too.

Whites

For heavily soiled whites and resistant colours.

Sport

Is designed for washing lightly soiled sports clothing (tracksuits, shorts, etc.); for best results, we recommend not exceeding the maximum load indicated in the "WASH CYCLE TABLE". We recommend using liquid detergent, and adding the amount suitable for a half-load.

Cotton 20°

For washing lightly soiled cotton garments, at a temperature of 20 °C.

Eco Cotton 40°- 60°

For washing normally soiled cotton garments declared to be washable at 40 °C or 60 °C, together in the same cycle. This is the standard cotton programme and the most efficient in terms of water and energy consumption.

Rinse + Spin

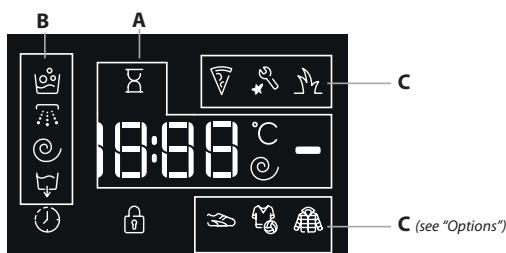
Designed for rinsing and spinning.

Spin + Drain

Designed to spin and drain the water.

DISPLAY

The display is useful when programming the machine and provides a lot of information.



The duration of the available wash cycles and the remaining time of a running cycle appear in section **A**; if the Delayed Start option has been set, the countdown to the start of the selected cycle will appear.

Pressing the corresponding buttons allows for viewing the maximum spin speed and temperature values attained by the machine during the set wash cycle, or the values selected most recently, if these are compatible with the set wash cycle.

The hourglass flashes while the machine processes the data on the basis of the selected cycle. After a maximum of 10 minutes, the hourglass icon remains steady lit and the final time remaining is displayed. The "hourglass" icon will then switch off approximately 1 minute after the final time remaining has been displayed.

The "washing phases" relative to the selected cycle and the "washing phase" of the running cycle appear in section **B**:



When lit, the symbol indicates that the set "Delayed Start" value has appeared on the display.

There are three levels in section **C** relative to the washing options.

DOOR LOCKED INDICATOR

When lit, the symbol indicates that the door is locked. To prevent any damage, wait until the symbol turns off before opening the door.

To open the door while a cycle is in progress, press the START/PAUSE button >|||; if the symbol is off, the door can be opened.

FIRST-TIME USE

Once the appliance has been installed, and before it is used for the first time, run a wash cycle with detergent and no laundry, by setting the "Auto-Clean" cycle.

DAILY USE

Prepare the laundry by following the suggestions appearing under the "TIPS AND SUGGESTIONS" section.

- Press the ON/OFF button (O); the START/PAUSE indicator light >||| will flash slowly green.

- Open the door. Load the laundry while making sure not to exceed the maximum load quantity indicated in the "WASH CYCLE TABLE".

- Pull out the detergent dispenser drawer and pour the detergent into the relevant compartments as described in "DETERGENT DISPENSER DRAWER" section.

- Close the door.

- Use the WASH CYCLE selector knob to select the desired wash cycle: it will be associated with a specific temperature and spin speed that can be modified. The duration of the cycle will appear on the display.

- Modify the temperature and/or spin speed: the machine automatically displays the maximum temperature and spin speed values set for the selected cycle, or the most recently-used settings if they are compatible with the selected cycle. Pressing the °C button gradually reduces the temperature down to the cold wash ("OFF" setting). Pressing the @/ button gradually reduces the spin speed until it is completely excluded ("OFF" setting). Pressing these buttons again restores the maximum values.

- Select the desired options.

- Press the START/PAUSE >||| button to start the wash cycle; the relative indicator light will light up steady green and the door will lock (symbol on).

PAUSING A CYCLE

To pause the wash cycle, press the START/PAUSE >||| button again; the indicator light will flash amber. If the symbol is not lit, the door may be opened. To start the wash cycle from the point at which it was interrupted, press the START/PAUSE >||| button again.

OPENING THE DOOR, IF NECESSARY

Once a cycle starts, the symbol turns on to signal that the door cannot be opened. While a wash cycle is running, the door remains locked. To open the door while a cycle is under way, for example, to add or remove garments, press the START/PAUSE >||| button to pause the cycle; the indicator light will flash amber. If the symbol is not lit, the door may be opened. Press the START/PAUSE >||| button again to continue the cycle.

CHANGING A RUNNING WASH CYCLE

To change a wash cycle while it is in progress, pause the washing machine using the START/PAUSE >||| button (the relative indicator light will flash amber), then select the desired cycle and press the START/PAUSE >||| button again.

! To cancel a cycle that has already begun, press and hold the ON/OFF (O) button. The cycle will be stopped and the machine will switch off.

END OF THE CYCLE

This will be indicated by the word "END" on the display; when the symbol switches off, the door may be opened. Open the door and switch off the machine. If you do not press ON/OFF (O) button, the washing machine will switch off automatically after about 10 minutes. Close the water tap, open the door and unload the washing machine. Leave the door ajar to allow the drum to dry.

OPTIONS

- If the selected option is not compatible with the set wash cycle, the indicator light will flash and the option will not be activated.
- If the selected option is not compatible with another previously selected option, the indicator light will flash accompanied by a buzzer (3 beeps), and only the latter option will be activated; the indicator light corresponding to the activated option will turn on.

Stain removal

This option allows for selecting the type of dirt so as to optimally adjust the cycle for removing the stains. The following types of dirt can be selected:

- **Food:** for stains caused by foodstuffs and beverages.
- **Work:** for grease and ink stains.
- **Outdoor:** for mud and grass stains.


! The wash cycle duration varies according to the type of selected dirt.

Sport


This option allows for selecting the most suitable programme for any type of sports clothing, and is designed to remove dirt while optimally preserving the technical features of the garments. The various Sport option levels available are:

- **Sport Shoes**, a cycle designed to safely wash up to 2 pairs of sports shoes simultaneously.
- **Gym Kit**, a cycle designed to simultaneously wash any type of sports clothing together with gym towels.
- **Technical Wear**, designed for specifically washing waterproof garments or clothing with special technical fibres like Gore-Tex, so as to optimise washing performance while preserving their technical properties over time. Do not use fabric softeners for garments with technical fibres.

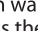
Delayed Start

To set a delayed start for the selected cycle (30 minutes-24 hours), press the corresponding button repeatedly until the desired delay period has been reached. When this option has been activated, the  symbol lights up on the display. To remove the delayed start setting, press the button until the word "OFF" appears on the display.

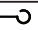
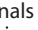
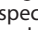
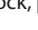
Temperature

Each wash cycle has a pre-defined temperature. To modify the temperature, press the  button. The value will appear on the display.

Spin

Each wash cycle has a pre-defined spin speed. To modify the spin speed, press the  button. The value will appear on the display.

CHILD LOCK

To activate the control panel lock, press and hold the  button for approximately 2 seconds. The lit  symbol signals that the control panel is locked. This prevents wash cycles from being modified accidentally (except for the ON/OFF  button), especially if there are children in the home. To deactivate the control panel lock, press and hold the  button for approximately 2 seconds.

TIPS AND SUGGESTIONS

Divide the laundry according to

Type of fabric (cotton, mixed fibres, synthetics, wool, garments to be hand-washed). Colour (separate coloured garments from whites, wash new coloured garments separately). Delicates (small garments – such as nylon stockings – and items with hooks – such as bras: insert them in a fabric bag).

Empty the pockets

Objects such as coins or lighters can damage the washing machine and the drum. Check all buttons.

Follow the dosage recommendation / additives

It optimizes the cleaning result, it avoids irritating residues of surplus detergent in your laundry and it saves money by avoiding waste of surplus detergent.

Use low temperature and longer duration

The most efficient programmes in terms of energy consumption are generally those that perform at lower temperatures and longer duration.

Observe the load sizes

Load your washing machine up to the capacity indicated in the "WASH CYCLE TABLE" table to save water and energy.

CARE AND MAINTENANCE


Before performing cleaning and maintenance, switch the washing machine off and disconnect it from the mains power. Do not use flammable liquids to clean the washing machine. Clean and maintain your washing machine periodically (at least 4 times per year).

Disconnect the water and power supplies




Close the water tap after every wash. This will limit wear on the hydraulic system inside the washing machine and help to prevent leaks. Unplug the washing machine when cleaning it and during all maintenance work.

Clean the washing machine

The outer parts and rubber components of the appliance can be cleaned using a soft cloth soaked in lukewarm soapy water. Do not use solvents or abrasives.

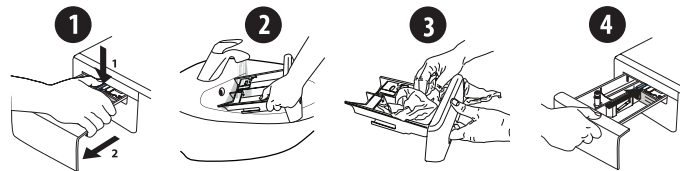
The washing machine has an "Auto-Clean"  cycle for its internal parts; it must be run without any load in the drum.

To optimise this cycle, it is possible to use either detergent (10% of the quantity specified for lightly soiled garments) or special additives to clean the washing machine. We recommend running a cleaning cycle every 40 wash cycles.

To start the cycle press buttons  and  simultaneously for 5 seconds. The cycle will start automatically and will run for about 70 minutes. To stop the cycle, press the START/PAUSE  button.

Clean the detergent dispenser drawer

Wash it under running water; this operation should be repeated frequently.



Care for the door and drum

Always leave the porthole door ajar in order to prevent unpleasant odours from forming.

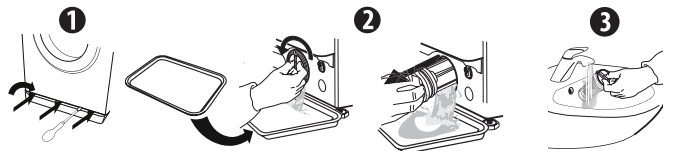
Clean the pump

The washing machine is fitted with an auto-cleaning pump that does not require any maintenance. Small items (such as coins or buttons) may sometimes fall into the protective pre-chamber situated at the base of the pump.

! Make sure the wash cycle has ended and unplug the appliance.

To access the pre-chamber:

1. remove the cover panel on the front of the machine by first pressing it in the centre then pushing downwards on both sides to extract it;
2. loosen the drainage pump cover by turning it anti-clockwise: it is normal for some water to leak out;
3. clean the inside thoroughly;
4. screw the cover back on;
5. put the panel back in place, making sure the hooks slot in place before pushing the panel onto the appliance.



Check the water inlet hose

Check the water inlet hose at least once a year. If it is cracked or broken, it must be replaced: during wash cycles, the high pressure of the water could suddenly split the hose open.

! Never use hoses that have already been used.

LOAD BALANCING SYSTEM

Before every spin cycle, to avoid excessive vibrations before every spin and to distribute the load in an uniform manner, the drum rotates continuously at a speed which is slightly greater than the washing rotation speed. If, after several attempts, the load is not balanced correctly, the machine spins at a reduced spin speed. If the load is excessively unbalanced, the washing machine performs the distribution process instead of spinning. To encourage improved load distribution and balance, we recommend small and large garments are mixed in the load.

ACCESSORIES

Contact our Customer Support Centre to check whether the following accessories are available for this washing machine model.

Stacking kit



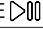

With this accessory you can secure the tumble dryer to the upper part of your washing machine to save space and facilitate loading and unloading of the tumble dryer.

TRANSPORT AND HANDLING

Do not lift the washing machine by gripping it from the upper section. Unplug the appliance and close the water tap. Check that the door and detergent dispenser drawer are tightly closed. Detach the filling hose from the water tap then detach the drain hose. Empty all the water remaining in the hoses and secure the latter so that they do not get damaged during transport. Apply the transport bolts back on. Repeat, in reverse order, the transport bolt removal procedure described in the "INSTALLATION GUIDES".

TROUBLESHOOTING

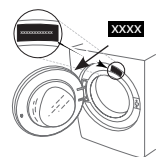
The washing machine may occasionally fail to work. Before contacting the Customer Support Centre, make sure that the problem cannot be easily solved using the following list.

Anomalies	Possible causes / Solution
The washing machine does not start.	<p>The appliance is not plugged into the socket, or not sufficiently to make contact.</p> <p>There is no power in the house.</p>
The wash cycle does not start.	<p>The washing machine door is not closed properly.</p> <p>The ON/OFF  button has not been pressed.</p> <p>The START/PAUSE  button has not been pressed.</p> <p>The water tap has not been opened.</p> <p>A delay has been set for the start time.</p>
The washing machine does not fill with water ("H2O" flashes on the display).	<p>The water inlet hose is not connected to the tap.</p> <p>The hose is bent.</p> <p>The water tap has not been opened.</p> <p>There is no water supply in the house.</p> <p>The pressure is too low.</p> <p>The START/PAUSE  button has not been pressed.</p>
The washing machine continuously loads and unloads water.	<p>The drain hose is not fitted between 65 and 100 cm from the floor.</p> <p>The free end of the hose is immersed in water.</p> <p>The wall drainage system does not have a breather pipe.</p> <p>If the problem persists even after these checks, turn off the water tap, switch the appliance off and contact the Customer Support Centre. If the home is on one of the upper floors of a building, there may be problems relating to back-siphonage, causing the washing machine to fill with water and drain continuously. Special anti-siphon valves are available in shops and help to prevent this inconvenience.</p>
The washing machine does not drain or spin.	<p>The cycle does not include drainage: with certain cycles it must be started manually.</p> <p>The drain hose is bent.</p> <p>The drainage duct is clogged.</p>
The washing machine vibrates a lot during the spin cycle.	<p>The drum was not unlocked correctly during installation.</p> <p>The washing machine is not level.</p> <p>The washing machine is tucked between furniture cabinets and the wall.</p>
The washing machine leaks.	<p>The water inlet hose is not screwed on properly.</p> <p>The detergent dispenser drawer is obstructed.</p> <p>The drain hose is not properly attached.</p>
The "Options" and START/PAUSE  indicator lights flash rapidly and the display visualises an error code (e.g.: F-01, F-...).	<p>Switch off the machine and unplug it, wait for approximately 1 minute and then switch it back on again. If the problem persists, contact the Customer Support Centre .</p>
There is too much foam.	<p>The detergent is not suitable for machine washing (it should be marked with "for washing machine use" or "hand wash and machine wash" or similar).</p> <p>Too much detergent was used.</p>

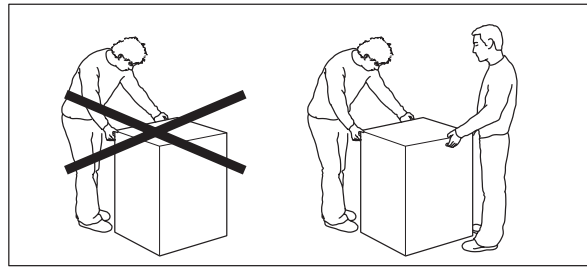
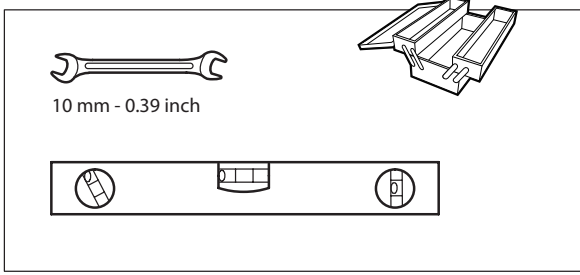
DEMO MODE: to deactivate this function, switch the washing machine OFF. Then press and hold "START/PAUSE"  button, within 5 seconds press also "ON/OFF"  button and hold both buttons for 2 seconds.

You can download the Product Factsheet and User Manual by:

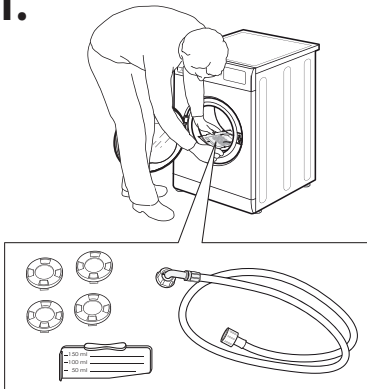
- Visiting our website - <http://www.indesit.hk/>
- Alternatively, **contact our Customer Support Centre.**
When contacting our Customer Support Centre, please state the codes provided on your product's identification plate.



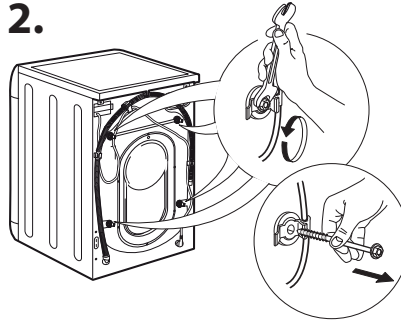
INSTALLATION GUIDE



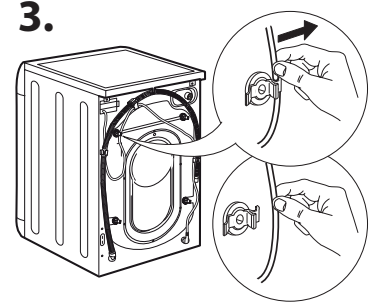
1.



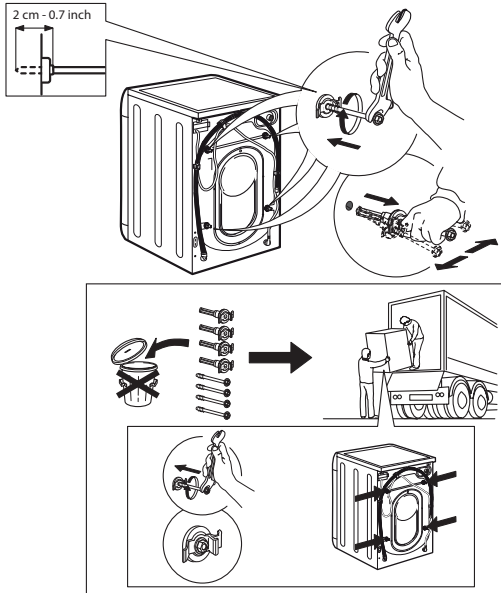
2.



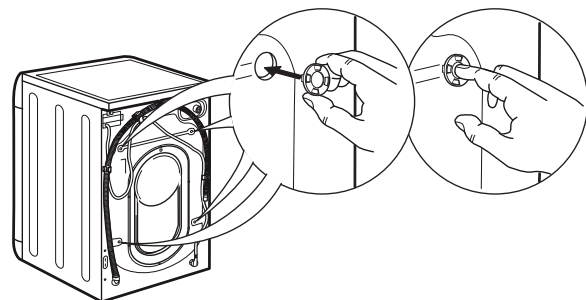
3.



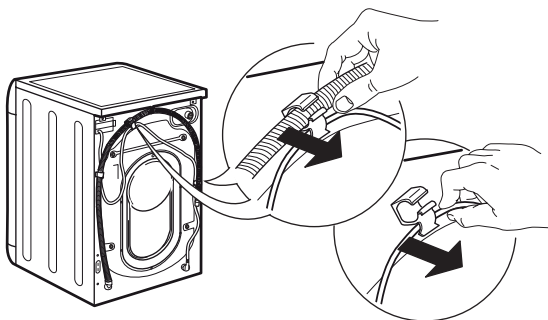
4.



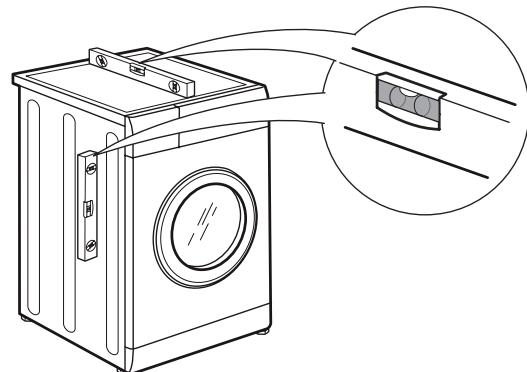
5.



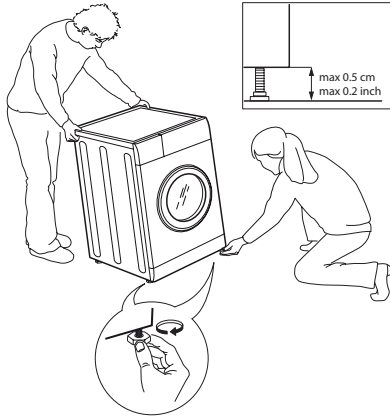
6.



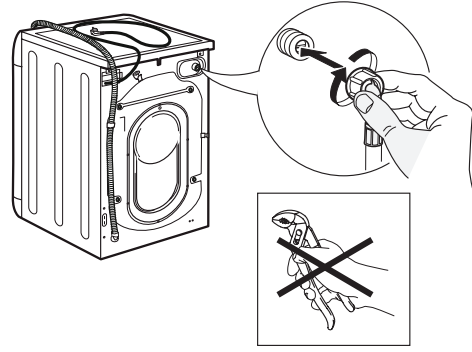
7.



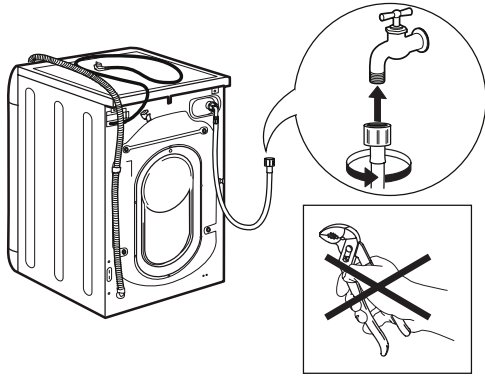
8.



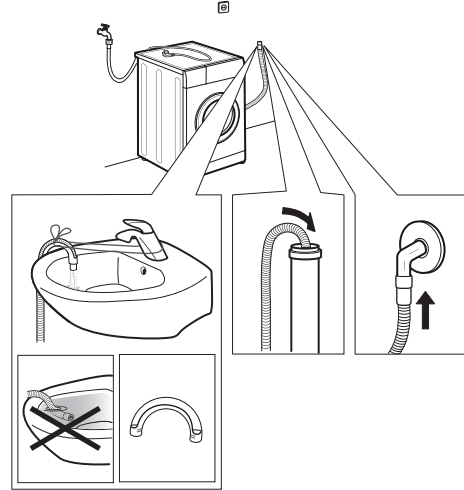
9.



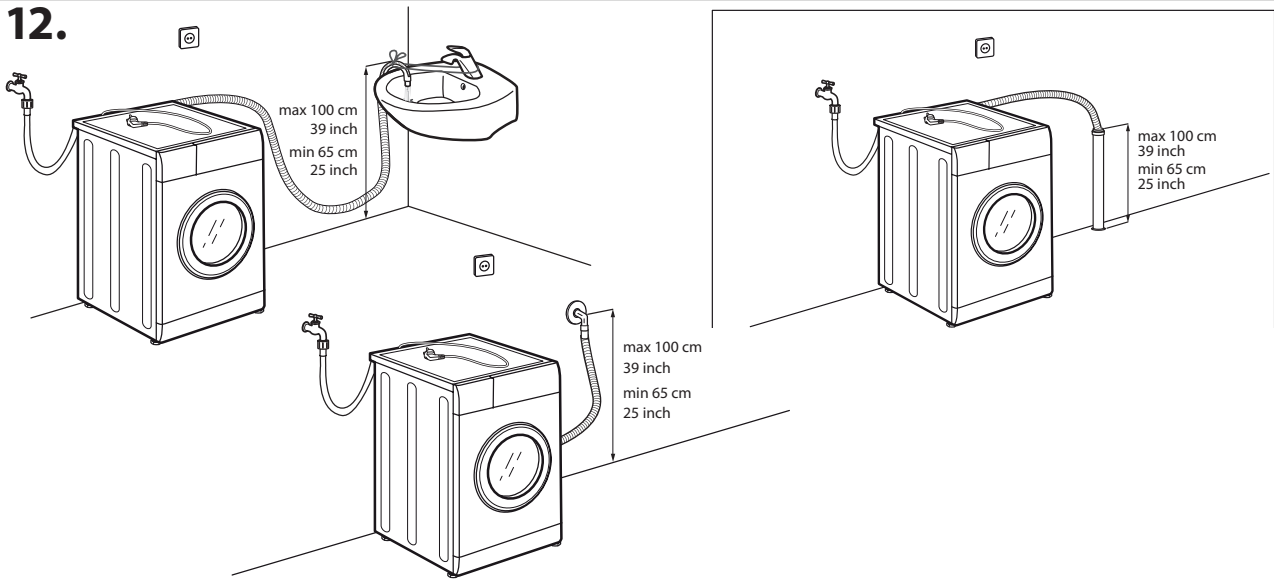
10.



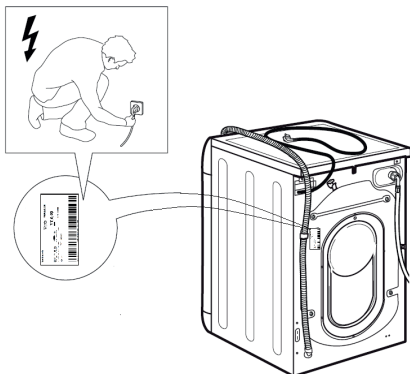
11.



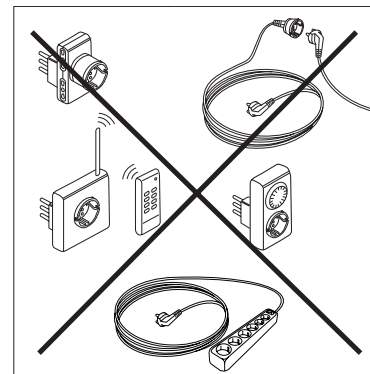
12.



13.



14.



SAFETY INSTRUCTIONS

Before using the appliance, read these safety instructions. Keep them nearby for future reference. These instructions and the appliance itself provide important safety warnings, to be observed at all times. The manufacturer declines any liability for failure to observe these safety instructions, for inappropriate use of the appliance or incorrect setting of controls.

⚠ Very young children (0-3 years) should be kept away from the appliance. Young children (3-8 years) should be kept away from the appliance unless continuously supervised. Children from 8 years old and above and persons with reduced physical, sensory or mental capabilities or lack of experience and knowledge can use this appliance only if they are supervised or have been given instructions on safe use and understand the hazards involved. Children must not play with the appliance. Cleaning and user maintenance must not be carried out by children without supervision. Never open the door door forcibly or use it as a step.

PERMITTED USE

⚠ **CAUTION:** The appliance is not intended to be operated by means of an external switching device, such as a timer, or separate remote controlled system.

⚠ This appliance is intended to be used in household and similar applications such as: staff kitchen areas in shops, offices and other working environments; farm houses; by clients in hotels, motels, bed & breakfast and other residential environments; areas for communal use in blocks of flats or in launderettes.

⚠ Do not load the machine above the maximum capacity (kg of dry cloth) indicated in the programme table.

⚠ This appliance is not for professional use. Do not use the appliance outdoors.

⚠ Do not use any solvents (e.g. turpentine, benzene), detergents containing solvents, scouring powder, glass or general purpose cleaners, or flammable fluids; do not machine wash fabrics that have been treated with solvents or flammable liquids.

INSTALLATION

⚠ The appliance must be handled and installed by two or more persons - risk of injury. Use protective gloves to unpack and install - risk of cuts.

If you want to stack a dryer on top of your washing machine, first contact our Customer Service Centre or your specialist dealer to verify whether this is possible. This is only possible if the dryer is attached to the washing machine by means of appropriate stacking kit available through our Customer Service Centre or your specialist dealer.

⚠ Move the appliance without lifting it by the

IMPORTANT TO BE READ AND OBSERVE

worktop or top lid.

⚠ Installation, including water supply (if any) and electrical connections and repairs must be carried out by a qualified technician. Do not repair or replace any part of the appliance unless specifically stated in the user manual. Keep children away from the installation site. After unpacking the appliance, make sure that it has not been damaged during transport. In the event of problems, contact the dealer or your nearest Customer Service Centre. Once installed, packaging waste (plastic, styrofoam parts etc.) must be stored out of reach of children - risk of suffocation. The appliance must be disconnected from the power supply before any installation operation - risk of electric shock. During installation, make sure the appliance does not damage the power cable - risk of fire or electric shock. Only activate the appliance when the installation has been completed.

⚠ Do not install your appliance where it may be exposed to extreme conditions, such as: poor ventilation, temperatures below 5 °C or above 35 °C.

⚠ When installing the appliance make sure that the four feet are stable and resting on the floor, adjusting them as required, and check that the appliance is perfectly level using a spirit level.

⚠ If the appliance is being installed on wood or "floating" floors (certain parquet and laminate materials), secure a 60 x 60 x 3 cm (at least) sheet of plywood to the floor then place the appliance on top of this.

⚠ Connect the water inlet hose(s) to the water supply in accordance with the regulations of your local water company.

⚠ For cold fill only models: do not connect to the hot water supply.

⚠ For models with hot fill: the hot water inlet temperature must not exceed 60°C

⚠ The washing machine is fitted with transport bolts to prevent any possible damage to the interior during transport. Before using the machine, it is imperative that the transport bolts are removed. After their removal, cover the openings with the 4 enclosed plastic caps.

⚠ After installation of the device, wait a few hours before starting it so that it acclimates to the environmental conditions of the room.

⚠ Make sure that the ventilation openings in the base of your washing machine (if available on your model) are not obstructed by a carpet or other material.

⚠ Use only new hoses to connect the appliance to the water supply. The old hose-sets should not be reused.

⚠ The supply water pressure must be in the 0.1-1 MPa range.

⚠ Do not repair or replace any part of the appliance unless specifically stated in the user manual. Use only authorized Customer Service Centre. Self or non-professional repair may lead to dangerous incident resulting in live or health threatening and /or significant property damage.

ELECTRICAL WARNINGS

⚠ It must be possible to disconnect the appliance from the power supply by unplugging it if plug is accessible, or by a multi-pole switch installed upstream of the socket in accordance with the wiring rules and the appliance must be earthed in conformity with national electrical safety standards.

⚠ Do not use extension leads, multiple sockets or adapters. The electrical components must not be accessible to the user after installation. Do not use the appliance when you are wet or barefoot. Do not operate this appliance if it has a damaged power cable or plug, if it is not working properly, or if it has been damaged or dropped.

⚠ If the supply cord is damaged, it must be replaced with an identical one by the manufacturer, its service agent or similarly qualified persons in order to avoid a hazard - risk of electric shock.

CLEANING AND MAINTENANCE

⚠ **WARNING:** Ensure that the appliance is switched off and disconnected from the power supply before performing any maintenance operation; never use steam cleaning equipment - risk of electric shock.


DISPOSAL OF PACKAGING MATERIALS

The packaging material is 100% recyclable and is marked with the recycle symbol ♻.

The various parts of the packaging must therefore be disposed of responsibly and in full compliance with local authority regulations governing waste disposal.

DISPOSAL OF HOUSEHOLD APPLIANCES

This appliance is manufactured with recyclable or reusable materials. Dispose of it in accordance with local waste disposal regulations. For further information on the treatment, recovery and recycling of household electrical appliances, contact your local authority, the collection service for household waste or the store where you purchased the appliance. This appliance is marked in compliance with European Directive 2012/19/EU, Waste Electrical and Electronic Equipment (WEEE). By ensuring this product is disposed of correctly, you will help prevent negative consequences for the environment and human health.

The symbol  on the product or on the accompanying documentation indicates that it should not be treated as domestic waste but must be taken to an appropriate collection center for the recycling of electrical and electronic equipment.

REPAIR INFORMATION

BEFORE CONTACTING CUSTOMER SUPPORT

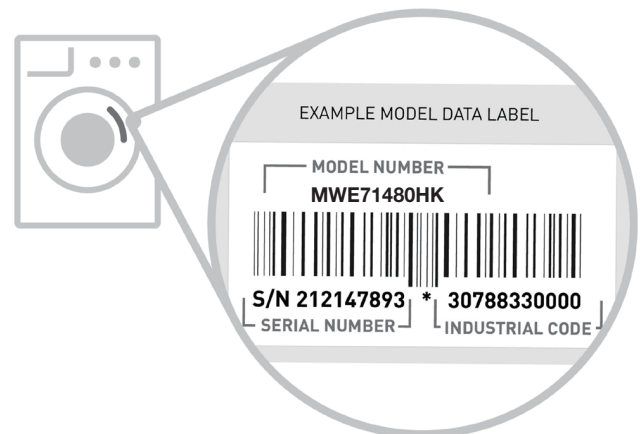
- Try to resolve problems you may encounter on your own (see "TROUBLESHOOTING").
- Restart the washer to see if the problem persists.

IF THE PROBLEM PERSISTS, CONTACT CUSTOMER SUPPORT

Call the customer support hotline provided on:
<https://www.indesit.hk/>

When contacting us, provide:

- A brief description of the problem
- The washer model number and serial number (as on the data plate inside the door)
- Your address and contact number



For any repairs that may be required, please contact an authorised Customer Support Centre in order to ensure that the repairs are performed correctly using original spare parts.



繁體中文

產品安全指引、使用說明及安裝指南

!  請仔細閱讀此使用說明書

索引

使用說明書	13-14-15
控制面板	13
程序表	13
產品介紹	13
洗衣劑投放盒	13
洗衣程序	14
顯示屏	14
門鎖提示燈	14
啟動洗衣程序	14
日常使用	14
暫停程序	14
打開機門 (如有需要)	14
變更正在運行的程序	14
程序結束	14
選項	14-15
兒童安全鎖	15
提示及應用	15
保養須知	15
衣物平衡系統	15
洗衣機配件	15
搬運和處理	15
故障排除	16
安裝指南	17-18
安全說明	19
維修資訊	20

感謝您購買Indesit產品



為了獲得更完善的服務，請於
www.indesit.hk/registration註冊您的產品

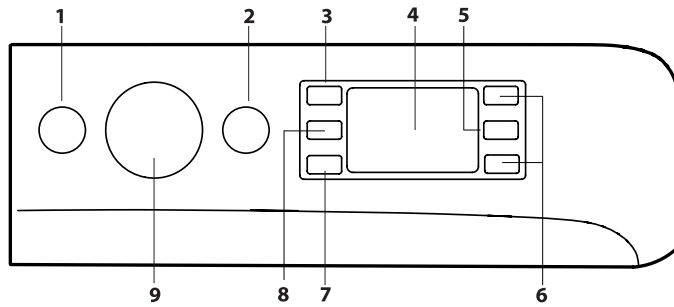
使用洗衣機前請先細閱產品安全指引



在使用洗衣機前，必須卸下運輸螺栓。詳情參閱「安裝指南」頁面。

控制面板

1. 電源「開/關」鍵
2. 「啟動/暫停」鍵及提示燈
3. 「溫度」鍵
4. 顯示屏
5. 「兒童安全鎖」鍵
6. 「選項」鍵
7. 「預校開機時間」鍵
8. 「脫水轉速」鍵
9. 「程序」旋鈕



程序表

型號：MWE71480HK 最大洗衣量：7公斤 脫水轉速：0-1400轉/分鐘						選項		洗衣劑及添加劑			建議洗衣劑類別			
程序	溫度(°C)		最高脫水轉速(轉/分鐘)	最大洗衣量(公斤)	預設洗衣程序時間(小時:分鐘)	除漬	運動衣物	預洗	主洗	柔順劑	洗衣粉	洗衣液		
	預設	溫度範圍						1	2	3				
快洗程序	1	59分鐘混色全量洗	40°C	☼ - 40°C	1000	7	0:59	○	○	-	●	○	-	✓
	2	棉質59分鐘	60°C	☼ - 60°C	1000	7	0:59	○	○	-	●	○	✓	✓
	3	棉質45分鐘	40°C	☼ - 40°C	1200	7	0:45	○	○	-	●	○	-	✓
	4	棉質30分鐘	30°C	☼ - 30°C	800	3.5	0:30	○	○	-	●	○	-	✓
	5	合成纖維59分鐘	30°C	☼ - 30°C	1000	4	0:59	○	○	-	●	○	-	✓
	6	纖細衣物59分鐘	30°C	☼ - 30°C	0	1.5	0:59	○	○	-	●	○	-	✓
	7	羊毛59分鐘	40°C	☼ - 40°C	800	1.5	0:59	○	○	-	●	○	-	✓
	8	快洗15分鐘	20°C	☼ - 20°C	800	1.5	0:15	○	○	-	●	○	-	✓
日常程序	9	棉質(2)	40°C	☼ - 60°C	1400	7	3:50	○	○	-	●	○	✓	✓
	10	合成纖維(3)	40°C	☼ - 60°C	1200	4	2:35	○	○	-	●	○	✓	✓
	11	白色衣物	60°C	☼ - 90°C	1400	7	2:30	●	○	● + 90°	●	○	✓	✓
	12	運動衣物	30°C	☼ - 30°C	600	3.5	0:55	○	●	-	●	○	-	✓
	13	棉質20°	20°C	☼ - 20°C	1400	7	1:50	○	○	-	●	○	-	✓
	14	節能棉質40°-60°(1)	60°C	☼ - 60°C	1400	7	2:55	○	○	-	●	○	✓	✓
	15	過水+脫水	-	-	1400	7	0:55	○	○	-	-	○	-	-
	16	脫水+排水*	-	-	1400	7	0:10	○	○	-	-	-	-	-

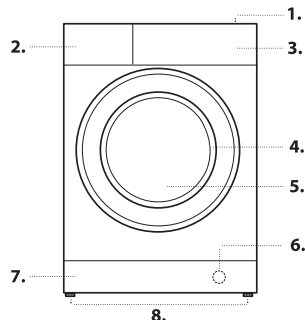
● 可使用該選項/需要使用洗衣劑 ○ 不可使用該選項/選擇性使用洗衣劑

在本機顯示屏上或此說明書中的程序時間是按標準情況計算，實際程序時間會因不同的因素自動調整，如進水溫度和水壓，環境溫度，洗衣劑量，衣物的類型，負載平衡及附加選項等。

- 1) 符合歐盟能源標準2019/2014的程序：使用「節能棉質40°-60°」程序(程序14)。此程序用於洗滌正常污漬量的棉質衣物，提供較佳的節約能源及用水量。
 - 2) 較長的棉質程序：使用40°C的「棉質」程序(程序9)。
 - 3) 較長的合成纖維程序：使用40°C的「合成纖維」程序(程序10)。
- * 選擇「脫水+排水」程序並設定脫水轉速為“OFF”以進行免旋排水。

產品介紹

1. 頂板
2. 洗衣劑投放盒
3. 控制面板
4. 機門門把
5. 機門
6. 排水泵(底座後方)
7. 底座(可拆卸)
8. 可調機腳(2)



洗衣劑投放盒

盒子1：預洗程序，洗衣劑用(洗衣粉)

盒子2：主洗程序，洗衣劑用(洗衣粉或洗衣液)

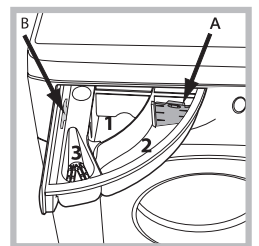
使用洗衣液時，建議放置分隔器於A格(如有，附於〈使用說明書〉袋內)，以確保注入適當的劑量。當使用洗衣粉時，請把分隔器放置於B格。

盒子3：衣物柔順劑用(注意：先稀釋及不應過量)
柔順劑只能添加到“MAX”標誌水平。

！洗滌白色棉質衣物，預洗，及以60°C或以上水溫洗滌時，可使用洗衣粉。

！使用洗衣劑時，請遵守包裝上的建議使用份量。

！要取出洗衣劑投放盒，按下槓桿C並拉出投放盒。



洗衣程序

請根據衣物上的護理標籤選擇合適的洗衣程序，標籤上會顯示建議的最高洗滌溫度。



59分鐘混色全量洗

適用於洗滌混色衣物。

棉質59分鐘

適用於洗滌白色棉質衣物。可使用洗衣粉。

棉質45分鐘

適用於快速洗滌細緻棉質衣物。

棉質30分鐘

適用於快速洗滌棉質及合成纖維衣物，可同時洗滌白色或顏色衣物。


合成纖維59分鐘

適用於洗滌一般骯髒的人造衣物纖維衣物，如滌綸、綸、黏膠纖維，以及混棉織物。

纖細衣物59分鐘

適用於洗滌絲質及質料纖細的衣物。建議使用專門用作洗滌纖細衣物的洗衣液進行洗滌，以達至最佳效果。

羊毛59分鐘

用於洗滌羊毛衣物，包括衣物標籤上附有手洗標誌  的羊毛纖維衣物。要達至最佳洗滌效果，建議使用適合洗滌羊毛纖維的洗衣劑，及洗滌不超過1.5公斤的衣物。

快洗15分鐘

只需15分鐘，即可為衣物進行清新程序。

棉質

適用於洗滌一般至深層污垢的彈性棉或麻質布料毛巾、內衣褲、桌布等。

合成纖維

適用於洗滌合成纖維衣物。如有頑固污漬，可用60°C水溫及洗衣粉作洗滌。

白色衣物

適用於洗滌深層污垢的白色或顏色衣物。

運動衣物

用於洗滌有少量污漬的運動類衣物，要達至最佳洗滌效果，衣物重量不應超出最大負載量（見「程序表」）。建議使用洗衣液進行洗滌，份量約是最大負載量的一半。

棉質20°

以20°C水溫洗滌一般骯髒的棉質衣物。

節能棉質40°-60°

適用於洗滌一般骯髒的棉質衣物。在40°C和60°C水溫下，此程序能達致最佳耗水和耗電量，屬能源標籤的參考程序。

過水+脫水

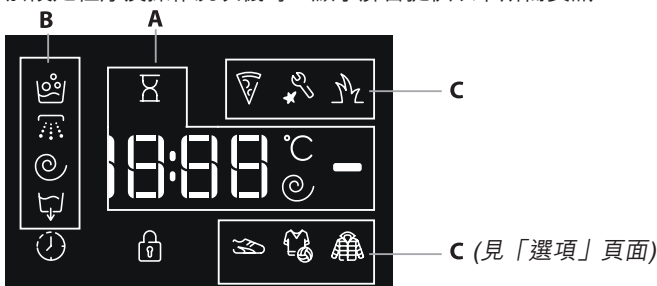
進行過水及脫水程序。

脫水+排水

進行脫水及排水程序。可關閉脫水程序以進行免旋排水。

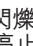
顯示屏

於設定程序及操作洗衣機時，顯示屏會提供以下所需資訊：




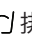


顯示屏上A部分會顯示所選程序時間，及其剩餘時間（於運行時）。如已設定預校開機時間，此部分亦會倒數顯示開機之時間。

按下相關按鈕調校溫度/脫水轉速，本機會自動顯示所選程序可能的最高溫度和轉速，或最近所使用之數值（如適用）。

顯示屏上  提示燈閃爍時，代表正在計算程序所需運行時間。在10分鐘內，提示燈會停止閃爍，並顯示程序時間。在1分鐘後，提示燈便會熄滅。


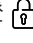
B部分會顯示當前所選洗衣程序的各個洗衣階段，以及於運行時正在運行至以下哪個階段：

 洗衣  過水  脫水  排水

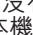
當「預校開機時間」指示燈  亮起時，所設定之時間將會顯示於顯示屏上。

C部分會顯示「運動衣物」及「除漬」選項的3項可選程度。

門鎖提示燈


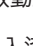


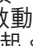

當提示燈亮起時，表示門鎖功能已啟動，機門處於鎖閉狀態。於熄滅後，方可打開機門，以免對機門做成損壞。如需在洗衣程序中開啟機門，按下「啟動/暫停」鍵 ；當門鎖提示燈  熄滅時，便可打開機門。

啟動洗衣程序

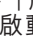
於完成洗衣機安裝後，在首次洗滌衣物之前，請在沒有衣物的情況下，啟動「自動清潔滾筒」 程序，運行一次本機。

日常使用



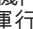

請按照「提示及應用」部分中的建議準備衣物。

- 按下電源「開/關」鍵 ，「啟動/暫停」提示燈  會慢慢以綠色閃爍。
- 打開機門，鬆散開衣物並放入滾筒中。注意投入衣物量不要超出程序表中所列的最大洗衣量（見「程序表」部分）。
- 拉出洗滌劑投放盒並加入洗衣劑（及添加劑/柔順劑）在相應的容器隔間內，詳情請參閱「洗衣劑投放盒」部分。
- 關閉機門，關上後，應聽到喀噠一聲。
- 轉動「程序」旋鈕，以選擇所需程序。每個程序均會有其預設洗衣溫度及脫水轉速，程序時間亦會顯示於顯示屏上。
- 本機會自動顯示所選程序可能的最高溫度和脫水轉速，或最近使用之設定（如適用）。按下  鍵逐漸降低溫度的設定直到冷洗設定（“OFF”）顯示在顯示屏上。按下  鍵逐漸降低脫水轉速的設定直到免除脫水程序（“OFF”）顯示在顯示屏上。再次按下相應按鍵會重新調節至最高溫度和轉速。
- 按下相關按鍵，設定程序選項。
- 按下「啟動/暫停」鍵  以啟動程序，指示燈會亮起綠燈。機門會鎖上，門鎖提示燈  會亮起。


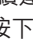
暫停程序


要暫停正在運行的程序，按下「啟動/暫停」鍵 ，提示燈會以燈色閃爍。要從暫停點重新啟動洗衣程序，再次按下「啟動/暫停」鍵。

打開機門（如有需要）

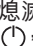
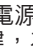
洗衣程序運行時，門鎖指示燈  會亮起，代表機門處於鎖閉狀態並不能被開啟。要於運行程序期間打開機門並添加/取走衣物，按下「啟動/暫停」鍵 ，提示燈會以燈色閃爍。當門鎖提示燈  熄滅時，便可打開機門。完成及關上機門後，再次按下「啟動/暫停」鍵  以繼續運行程序。

變更正在運行的程序

要變更正在運行的程序，按下「啟動/暫停」鍵  以暫停洗衣機運行，指示燈會慢慢以燈色閃爍；此時可變更所需設定，然後再次按下「啟動/暫停」鍵  繼續運行程序。

！如需取消正在運行的程序，按下電源「開/關」鍵  直至洗衣機停止運行並關閉。

程序結束

程序完成時，顯示器上會顯示END字樣。當門鎖提示燈  熄滅時，便可打開機門，取出機內衣物。最後按下電源「開/關」鍵 ，以關閉洗衣機。如沒有按下電源「開/關」鍵，本機會於約10分鐘自動關閉。

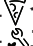

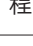
關閉水龍頭，取出機內衣物後，將機門半開，使滾筒內的水分慢慢揮發，以免洗衣機內部產生異味。最後按下電源「開/關」鍵，以關閉洗衣機。

選項

- 如該選項不適用於目前的程序，其提示燈將會閃爍，表示此選項不能被選擇。
- 如所選功能不能與早前已選之另一功能相容，功能提示燈將會閃爍並響起蜂鳴（3下響聲）；只有最新所選功能會被啟用，而其提示燈亦會亮起。

除漬

此功能可透過選擇特定類別的日常污漬，針對性達至去漬效果。可選擇以下污漬：

-  食物：食物或飲料等污漬
-  工作：油脂、墨水污漬等
-  戶外：泥土、草漬等

！程序時間會因選擇不同類別污漬而有所不同。

👕 運動衣物

此功能用於洗滌不同的運動類衣物，能去除污漬並同時保護衣物纖維，可選擇以下類別的衣物：

- 👟 **運動鞋**：用於洗滌運動鞋，每次最多洗滌2對運動鞋。建議將運動鞋放入進行洗滌前，先綁緊鞋帶。
- 👕 **運動衣物**：此選項適用於洗滌運動類衣物，包括運動用毛巾。
- 🧥 **專業運動衣物**：此選項適用於洗滌防水或含有機能性素材纖維的運動衣物（如Gore-Tex），洗滌同時保護衣物纖維。洗滌時切勿使用柔順劑。

🕒 預校開機時間

要預校程序開始時間，持續按下「預校開機時間」鍵🕒直至出現所需之開始時間（可設定30分鐘-24小時之開機時間）。設定後顯示屏上提示燈會亮起。如要取消此功能，請再次按下此鍵直至顯示屏顯示（“OFF”）。

🌡️ 溫度

每項洗衣程序均會有預設溫度，按下「溫度」鍵🌡️以調校溫度，所選溫度會顯示在顯示屏上。

🌀 脫水轉速

每項洗衣程序均會有預設脫水轉速，按下「脫水轉速」鍵🌀以調校轉速，所選轉速會顯示在顯示屏上。

🔒 兒童安全鎖

用於鎖定控制面板，避免不必要的操作。按下🔒鍵約2秒，直到顯示屏上的🔒指示燈亮起，控制面板上的旋鈕和按鍵即被鎖定，只有「開/關」鍵🔌可如常運作。要解開安全鎖，再次按下🔒鍵約2秒即可。

📌 提示及應用

請根據以下建議分類衣物：

衣料類型/衣物護理標籤（棉質、混合纖維、合成纖維、羊毛、手洗衣物）。請確保白色和顏色衣物分開洗滌，簇新的顏色衣物亦需分開清洗。纖細衣物（清洗小件衣物，如尼龍絲襪；或有鈎扣的衣物，如胸罩及有拉鍊的布袋或枕套，請放網袋內進行洗滌）。

🧺 清空衣物口袋：

錢幣，別針等小物件會損毀洗衣機及滾筒。放入洗滌前檢查所有衣物口袋及鈕釦。

📦 遵照洗衣劑包裝上的建議使用份量：

有助達至較佳洗衣效果，而過量的洗衣劑會造成太多泡沫及殘留於衣物上。

🕒 使用低溫及較長時間程序：

低溫及較長時間的程序能達至較佳的耗水和耗電量。

📦 注意投入衣物量：

注意投入衣物量不要超出程序表中所列的最大洗衣量（見「程序表」部分），以減低耗水和耗電量。

🛠️ 保養須知

進行任何清潔和維修前，必須將電源插頭拔下，請勿使用易燃液體進行洗衣機清潔。建議每年至少4次，為洗衣機進行清潔工作。

🔌 關閉水電供應

每次使用洗衣機後，最好關閉進水管水龍頭，以免使本機水管接頭承受不必要的壓力。

進行清潔和維修前，必須將電源插頭拔下，以確保安全。

🧼 清潔機身

如要清潔外殼及橡膠部件，請使用棉布、溫水和肥皂，請勿使用溶劑或剝蝕性物質擦拭機身。

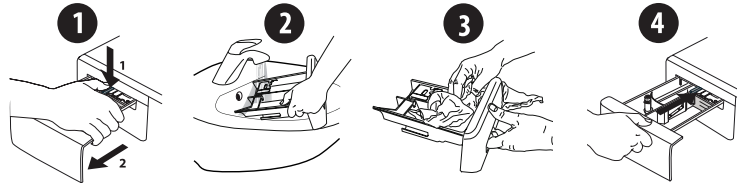
本機設有「自動清潔滾筒」程序🔄，進行此程序時，必須將滾筒內所有衣物移走。

要加強清潔效果，可酌量加上洗衣劑（份量約是清洗輕微污漬衣物所用劑量之10%），或洗衣機專用護理產品。建議運行約40次洗衣程序後，進行一次「自動清潔滾筒」程序。

同時按下🔌鍵及🔄鍵約5秒即可啟動「自動清潔滾筒」程序。此程序進行約70分鐘。如須停止，按下「開始/暫停」鍵▶️。

🧼 清洗洗滌劑投放盒

拉開並向上推出整個投放盒，把整個容格直接用水沖洗。投放盒應經常清洗。



🌀 滾筒及機門保養

洗衣後，將機門半開，使滾筒內的水分慢慢揮發，以免洗衣機內部產生異味。

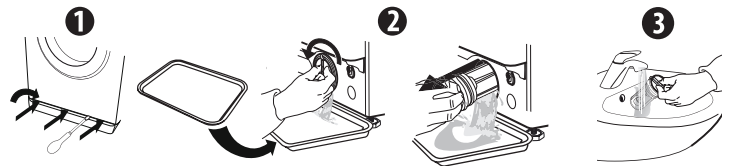
🧼 清理排水過濾器

本機設有自動清洗水泵而不需額外保養。排水過濾器用於收集線頭和疏忽遺留在衣物中的小物件，請定期打開過濾器檢查並進行清潔。

！重要提示：清理排水過濾器前，必須確認本機已經完成洗衣程序，並已拔掉電源插頭。

清理阻塞的排水泵：

1. 先按下中間並向下按壓以移除機身下方擋板。
2. 以逆時針方向擰開並抽出過濾器。打開時通常會有少量餘水溢出，可先在過濾器前方放置毛巾吸水。
3. 清洗過濾器：用水沖洗並除去濾網殘渣。
4. 將過濾器重新裝上並將其完全擰緊。
5. 將擋板放回。



🔍 檢查進水喉

應每年檢查進水喉一次，如有變脆或爆裂，應立刻更換。洗衣機於運行時的高水壓，容易令有裂痕的水管爆開。

！注意：切勿使用舊有或曾用過的喉管。

🔗 衣物平衡系統

本機配有自動負荷平衡控制系統，在脫水程序進行前，該系統會先將轉速稍為提高，令滾筒內的衣物盡量均勻分佈。若系統發覺滾筒內衣物未能均勻地分佈時，系統會把脫水速度降低，這可減少脫水時機器高速旋轉所產生的震動而損壞機件。要達到最佳洗滌效果，建議將不同大小的衣物混合洗滌，並將其均勻擺放，但一次不要洗滌過多毛織衣物。

🔧 洗衣機配件

聯絡我們的售後服務中心，以確定以下配件是否適用於此洗衣機。

📦 固定架

固定架可用於配疊乾衣機，使乾衣機放置於本機上方，靈活善用空間。

🚚 搬運和處理

搬運時，切勿提拉洗衣機的頂板。

先從水龍頭拆除進水管，然後拆除排水管，排出喉管內的所有積水。於運輸過程中，確保妥善包裝好水管，避免做成任何破損。最後重新安裝運輸螺栓以安排搬運本機。到達搬運目的地後，重新按以上步驟安裝本機。

有關安裝或拆卸運輸螺栓的詳情，請參閱「安裝指南」頁面。

故障排除

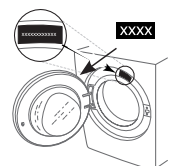
洗衣機可能因為不同原因無法正常運作。聯絡售後服務中心之前，建議先自行進行檢查，看問題是否可以下列的簡易方法解決。

故障	可能成因 / 解決方法
洗衣機無法啟動	插頭沒有正確插在插座內。 插座供電異常，或電源保險絲熔斷。
洗衣程序無法啟動	機門未正確關閉。 未按下電源「開/關」⏻ 鍵。 未按下「啟動/暫停」▶⏸ 鍵。 水龍頭未打開。 已設定預校開機時間。
洗衣機無法進水 (顯示屏上出現 H2O 字樣)	進水管未連接到水龍頭。 進水管被壓扁或扭結。 水龍頭未打開。 自來水未有供應。 水壓過低。 未按下「啟動/暫停」▶⏸ 鍵。
洗衣機不停入水和排水	排水管未正確安裝於離地面65至100厘米的位置。 排水管末端位置低於水面。 排水管未正確導入直管內。 進行以上檢查後，如故障仍然存在，請關閉水龍頭及電源；並聯絡售後服務中心。如居住較高樓層，操作時洗衣機或會出現虹吸現象，並持續入水和排水。建議加配防回流閥以解決回流問題。
排水或脫水故障	所選程序並不包括排水，某些洗衣程序需要手動以排水。 排水喉管被壓扁或扭結。 排水管或洗滌盆阻塞。
脫水時機身震動過大	安裝時運輸螺栓和包裝材料未被正確除下。 洗衣機機腳不平。 機器被夾於家具和牆壁之間，令其無法平衡擺放。
洗衣機 / 洗滌劑投放盒漏水	進水管未正確擰緊。 洗滌劑投放盒阻塞，需要清洗。 排水管未正確擰緊。
顯示屏上「選項」及「啟動/暫停」▶⏸ 提示燈不斷閃爍，及出現錯誤代碼(如 F-01, F-等)	關閉電源並拔下電源插頭，約一分鐘後重開洗衣機。如果故障仍然存在，請聯絡售後服務中心。
泡沫過多	洗衣劑不適用於洗衣機(參考洗衣劑的註明，檢查洗衣劑上的標籤是「適合機洗」或「適合手洗」，或其他相關註解)。 過量的洗衣劑會造成太多泡沫。

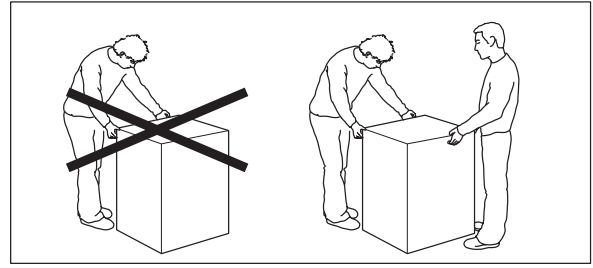
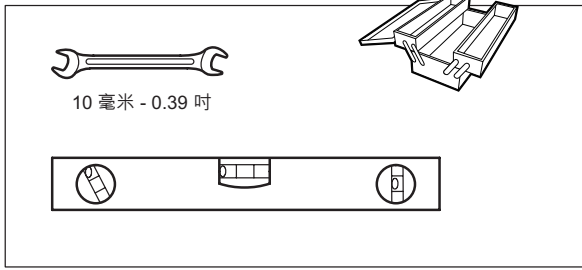
要關閉「示範模式」，按以下步驟操作：按下電源「開/關」鍵關閉洗衣機，然後按住「啟動/暫停」鍵，於5秒內同時按下電源「開/關」鍵並維持2秒。

您可以透過以下途徑下載產品規格單張及使用說明書：

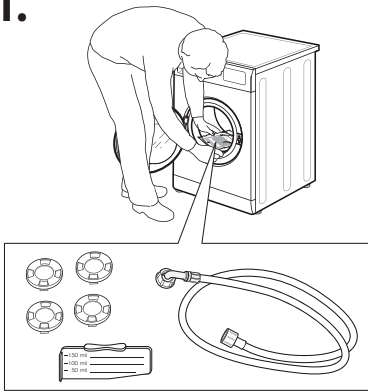
- 瀏覽 <https://www.indesit.hk/>
- 您亦可以聯絡售後服務中心，以查詢產品資訊。
當致電我們時，請提供洗衣機型號及機身號碼(參閱機門內的銘牌)。



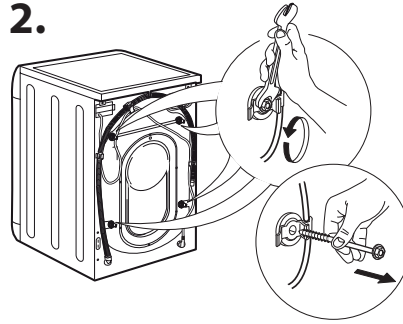
安装指南



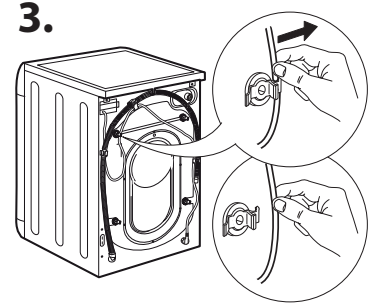
1.



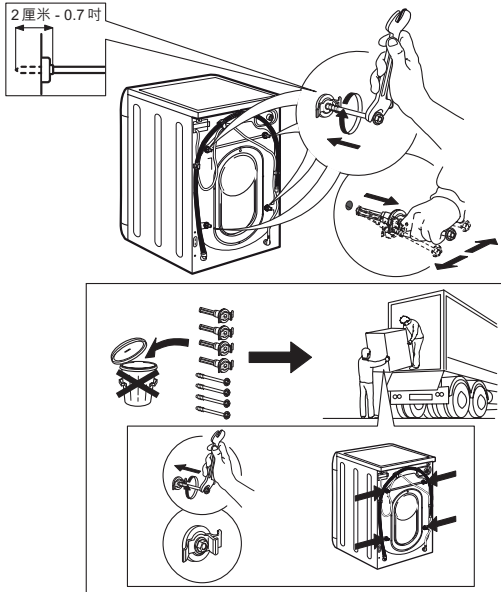
2.



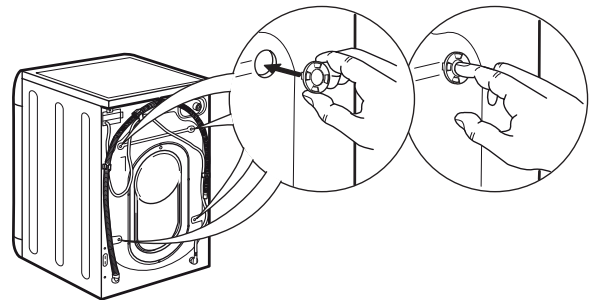
3.



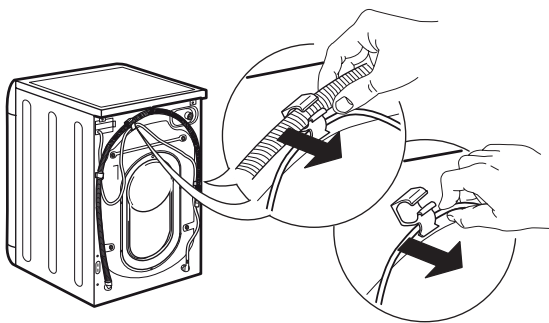
4.



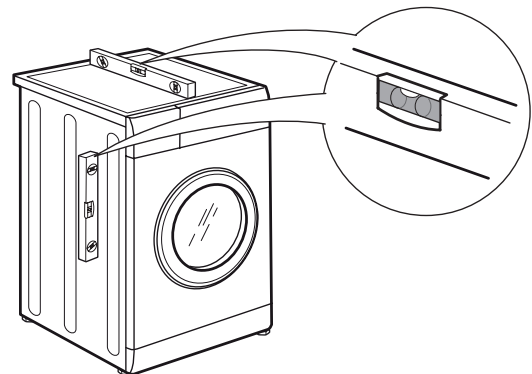
5.



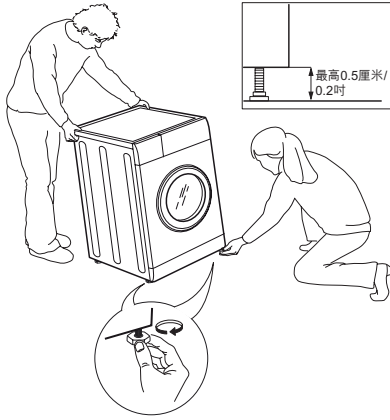
6.



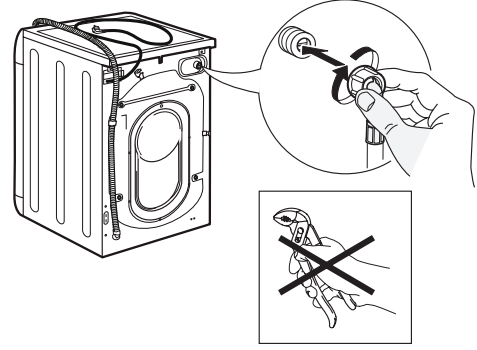
7.



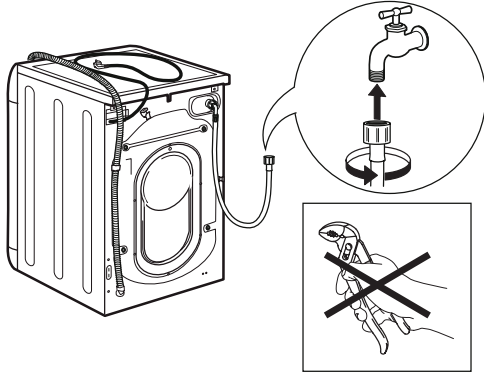
8.



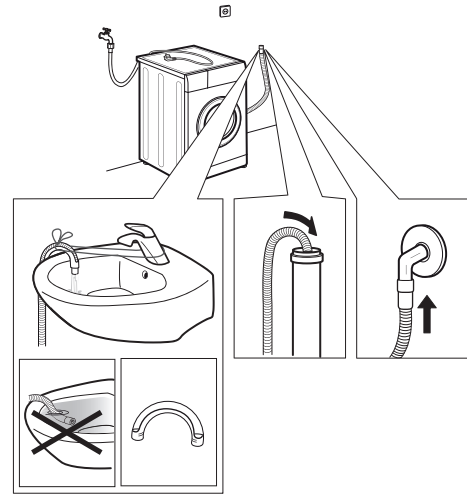
9.



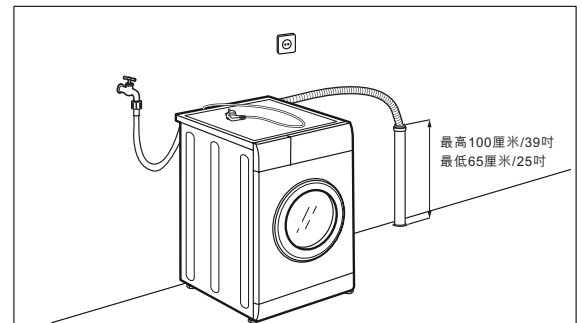
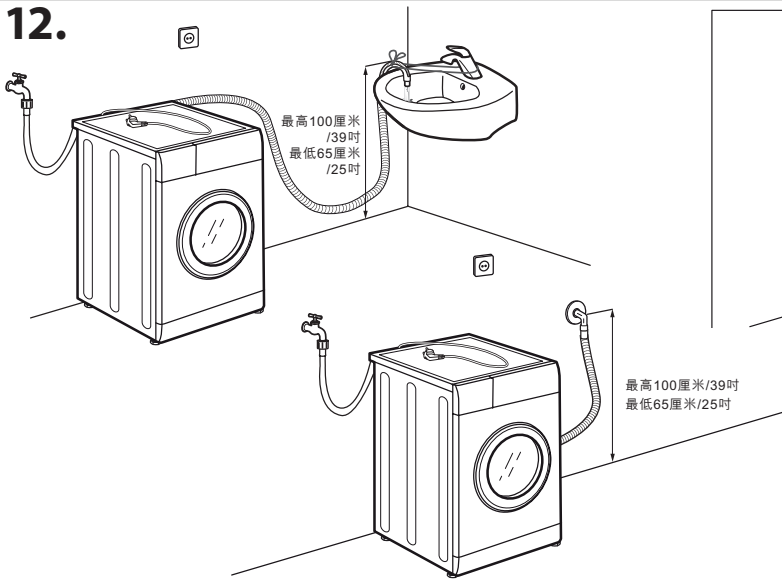
10.



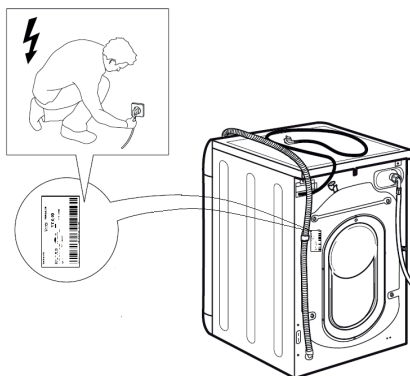
11.



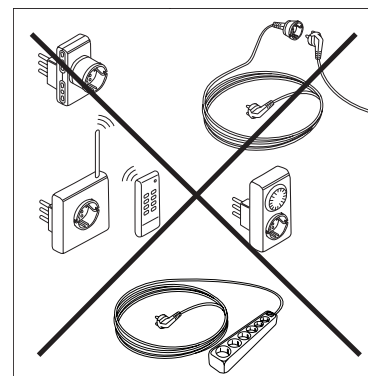
12.



13.



14.



安全說明

重要事項：請閱讀並遵循

使用本機前，請仔細閱讀安全指引，並妥善保管本使用說明書以便日後參考。在使用本機時，請務必遵守這些安全指引。如因不正確使用或非本公司授權技術人員安裝而導致的故障，不論是否處於保養期，本公司概不負責。

⚠ 請讓幼童(0-3歲)遠離本機。除非得到持續監視，否則應讓兒童(3-8歲)遠離本機。8歲以上之兒童，患有身體、感官或精神障礙的人士，以及經驗知識不足的人士，需接受相關安全指導或監督，方可操作本機。兒童不可胡亂玩弄本機。未經指導，兒童不可進行本機的清潔及保養工作。請勿強行開啟或踩踏機門。

使用

⚠ **注意：**本機不可搭配外接開關裝置如計時器或獨立遙控系統使用。

⚠ 本機僅可用於一般住宅及以下地點：商店及辦公室的員工廚房區、飯店、旅館、民宿及其他居住環境。

⚠ 投入衣物量不應超出程序表中所列的最大洗衣量(見「程序表」頁面，衣物重量為乾衣狀態下的重量)。

⚠ 本機並非供專業用途使用。請勿在戶外使用本機。

⚠ 請勿使用任何溶劑(如松節油、苯)、含有溶劑之洗滌劑、去污粉、玻璃用、一般用清潔劑或易燃性液體進行洗滌；請勿以本機洗滌用易燃溶劑(如三氯乙烯)清洗過的衣物。

安裝

⚠ 若要搬動本機，必須找兩至三人一同小心搬動，切勿單獨搬動。在開箱與安裝時請穿戴保護手套，避免割傷。

若要於本機上疊放乾衣機，請先與我們的售後服務中心或零售商聯絡，確認是否可行。您必須使用專用的固定架才能疊放乾衣機至本機上。

⚠ 移動本機時請不要以握住頂部或上蓋的方式將其抬起。

⚠ 所有供水裝置(如有)及電源連接等安裝或維修工作，均須由合資格的技術人員進行。切勿自行維修或更換本機零件。請讓兒童遠離安裝地點。卸下包裝後，請確保本機在運輸過程中沒有損壞。如果已損壞，請與零售商聯繫，不要繼續進行安裝。請將包裝材料(塑料袋、聚酯泡沫、釘子等)置於兒童不能接觸的地方，以免發生意外。進行安裝前，請勿連接電源，以避免觸電風險。在安裝過程中，請確保電線沒有做成損壞，以避免起火或觸電風險。請在完成安裝後，方啟動及使用本機。

⚠ 請勿將本機安裝在可能暴露於以下極端條件的位置，如：通風不良的地方，溫度低於5°C或高於35°C的環境。

⚠ 將本機安裝在平坦堅固的地板上，若地板並非處於水平狀態，通過左右旋轉調節機腳，使本機水平放置。可使用水平儀檢查本機是否水平放置。

⚠ 若將本機安裝在木或「夾層」地板(嵌木或層壓材質)上，請先在地板上放上一塊最少60 x 60 x 3厘米的膠合板，然後再放置本機。

⚠ 請依照本地安全標準正確連接進水管線。

⚠ 請勿將只有冷水管線的機種連接熱水源。

⚠ 連接熱水進水管之水溫不可超過60°C。

⚠ 本機裝有可避免在運送時造成內部損壞的運輸螺栓。在安裝完成及使用本機前，請先將運輸螺栓拆除，然後使用提供的塑膠蓋，以密封螺絲釘孔。

⚠ 安裝好本機後，請等待一段時間後始啟動使用，以令本機適應房間的環境條件。

⚠ 請不要讓本機底部的通風口被地毯或其他東西堵住。如要將本機放在地毯上，請調整機腳，以便在本機下方留出足夠的通風空間。

⚠ 請使用跟機配備的全新喉管連接水源，切勿使用舊有或曾用過的喉管。

⚠ 供水壓力為0.1-1 Mpa。

⚠ 切勿自行維修或更換本機零件。請聯絡售後服務中心以進行維修工作。自行進行維修將引致嚴重後果，包括對自身及機件的損害。

電氣警告

⚠ 本機的電源插座位置，應置於容易接觸到的地方，令本機可以透過拔出插頭或關閉電箱中斷電源。本機必須接上地線，及符合本地的電器安全標準法。

⚠ 切勿以拖板或萬能插頭連接本機。在安裝後，使用者不得接觸電線或電器組件。赤腳或手腳未乾時，不可觸碰本機。若電線或插頭已損壞，無法正常運作，或曾掉落過，均請不要繼續使用本機。

⚠ 若電線損壞，請聯絡合資格的電器維修人員進行更換。

清潔和保養

⚠ **警告：**在進行任何清潔和保養工作前，必須將電源插頭拔下，以確保安全；請勿使用蒸氣清潔設備，避免觸電風險。


廢棄包裝材料

包裝材料均為100%可回收並帶有回收標誌 。

請將可循環再用的物料，放置適當的回收中心，以便循環再用。

廢棄家用電器

本機以可回收或再利用之材料製成。請依照當地廢棄物處理規定處置。如需取得進一步有關處理及回收本機之資訊，請與您的家用廢棄物回收商及零售商聯繫。本機依照有關廢棄電器和電子設備(WEEE)的歐盟標準2012/19/EU標示。請確保以正確的方式廢棄本產品，避免因不當的廢棄處理方式而對環境和人體健康造成潛在的負面影響。

本機標有  符號，表示此機不能作為一般家庭廢品處理，該產品必須遵照本地的廢物處置法規進行棄置或回收。您應將它交給回收電器和電子設備的適用收集點。

維修資訊

聯絡售後服務中心前：

- 請先參閱「故障排除」頁面以嘗試解決問題。
- 重新啟動洗衣機，檢查洗衣機是否仍舊無法正常運作。

若洗衣機仍舊無法正常運作：

請致電以下網址上列出的服務熱線：

<http://www.indesit.hk/>

當致電我們時，請提供以下資訊：

- 簡單的故障說明
- 洗衣機型號及機身號碼 (參閱機門內的銘牌)
- 您的完整地址和電話號碼



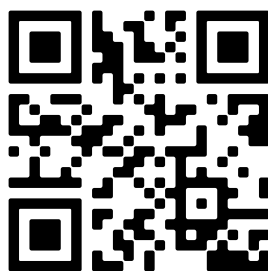
對於任何維修，使用我們授權的售後服務中心，以確保適當的維修和使用原廠零配件。

Register your product online

網上登記新產品保養

Save the planet and register your product warranty online!

為環保出力，減少用紙！於網上登記產品保養。



<http://qrco.de/bbWCOM>

Indesit® Registered trademark

All rights reserved - <https://www.indesit.hk/>



依達時®註冊商標

版權所有 翻印必究 - <https://www.indesit.hk/>